

---

Model **SGi25S**

# **PARTS CATALOG**

**Spec. No. RAS28031011**  
**(E/G Spec.No. EX170D20350)**

# CONTENTS

## ENGINE PARTS

		FIG.
1	CRANK CASE	100
2	CRANKSHAFT, PISTON	200
3	INTAKE EXHAUST	300
4	GOVERNOR OPERATION	400
5	COOLING STARTING	500
7	ELECTRIC DEVICE	700

## GENERATOR PARTS

21	ENGINE AY (INC.MUFFLER, AIR CLEANER, STARTER, CARBURETOR, ELECTRIC DEVICE)	2110·2130·2150·2160·2170
22	GENERATOR	2200
23	BASE FRAME	2300
24	CONTROL	2400
25	COVER	2500·2510
26	FUEL TANK	2600
29	ACCESSORIES	2900

FIG. 100

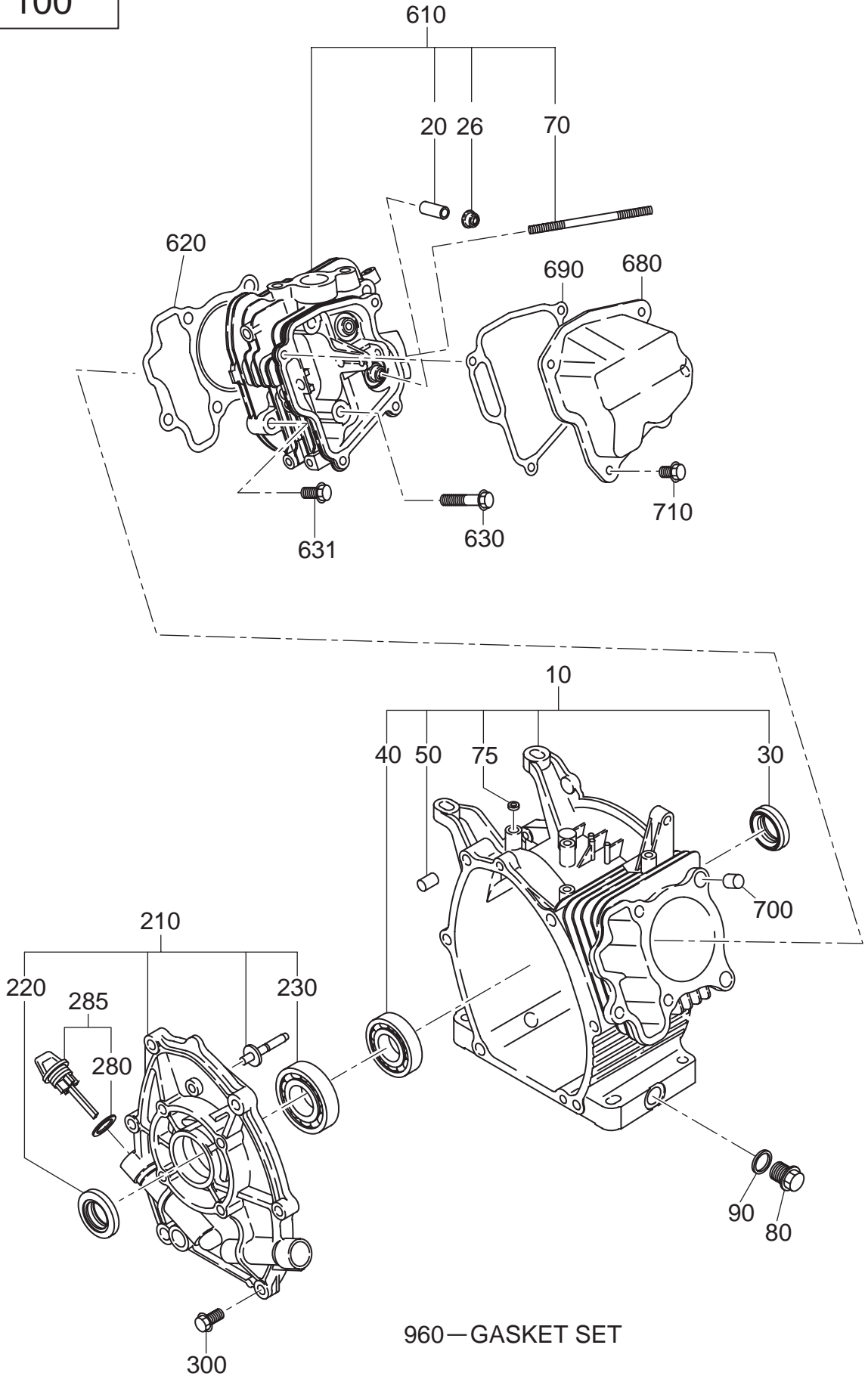




FIG. 200

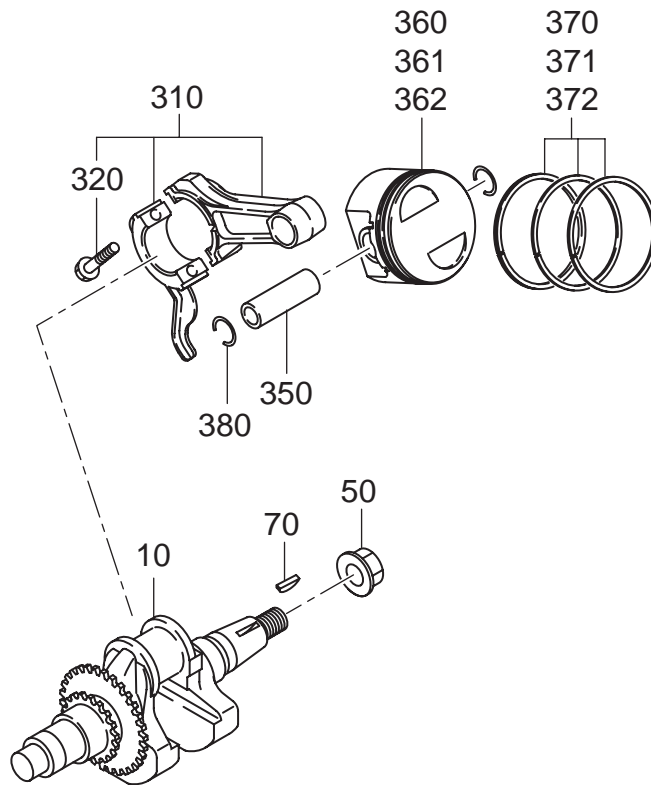




FIG. 300

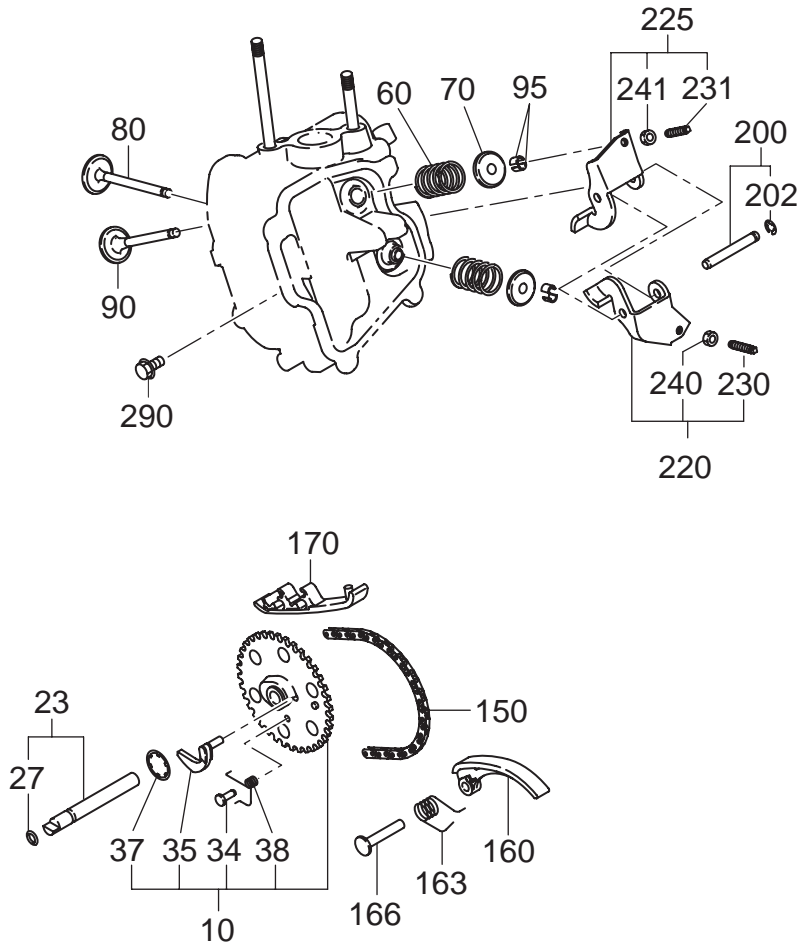






FIG. 400

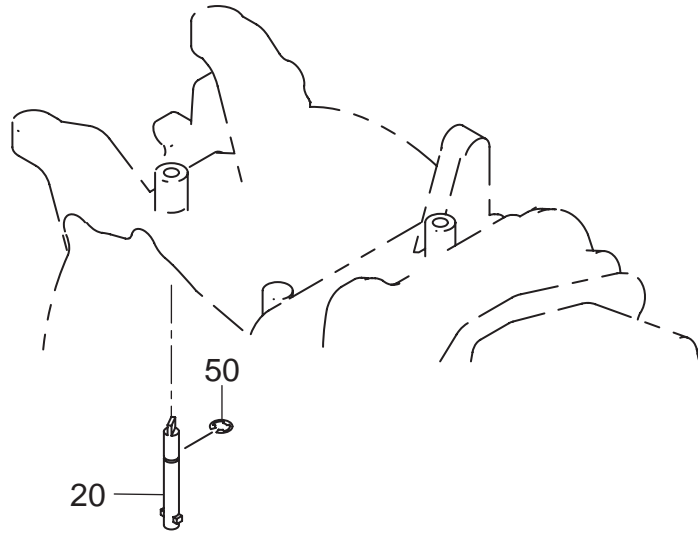




FIG. 500

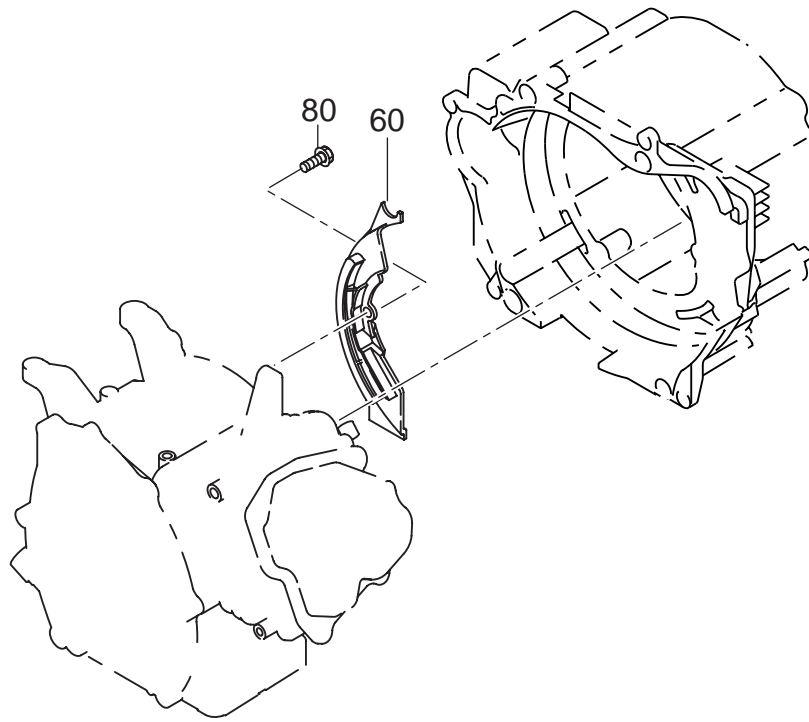




FIG. 700

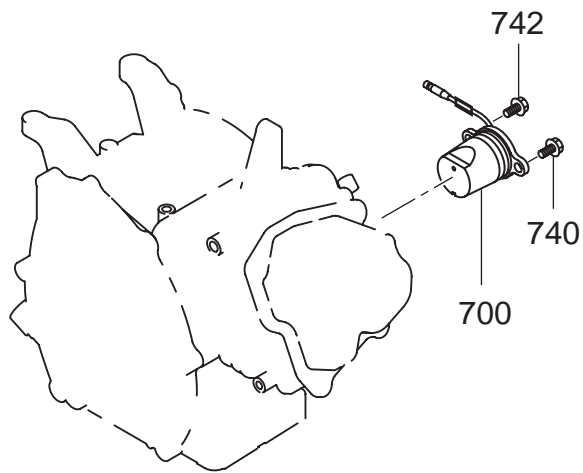
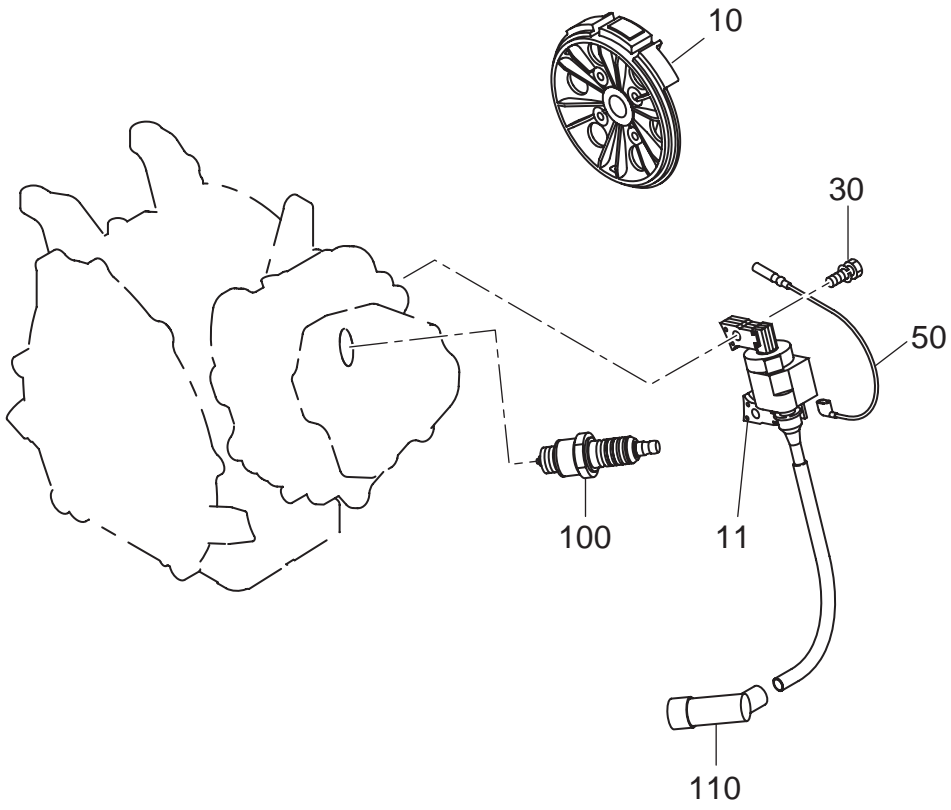




FIG. 2110

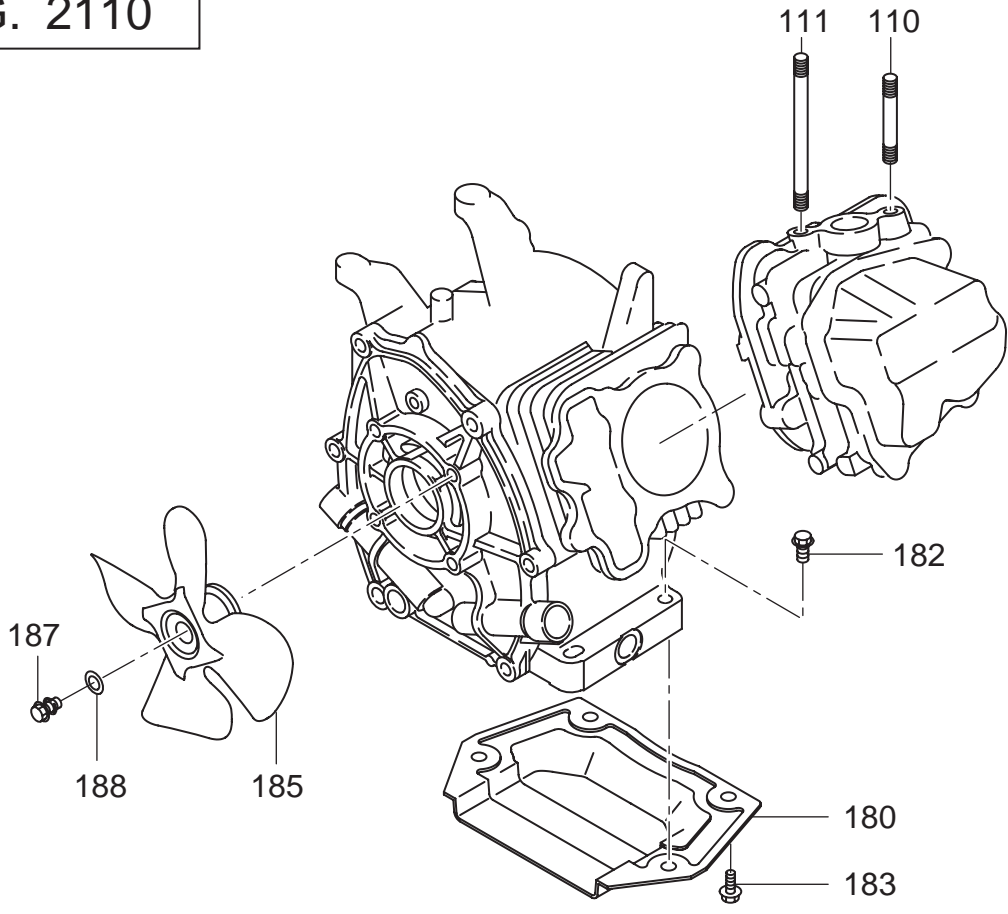


FIG. 2130

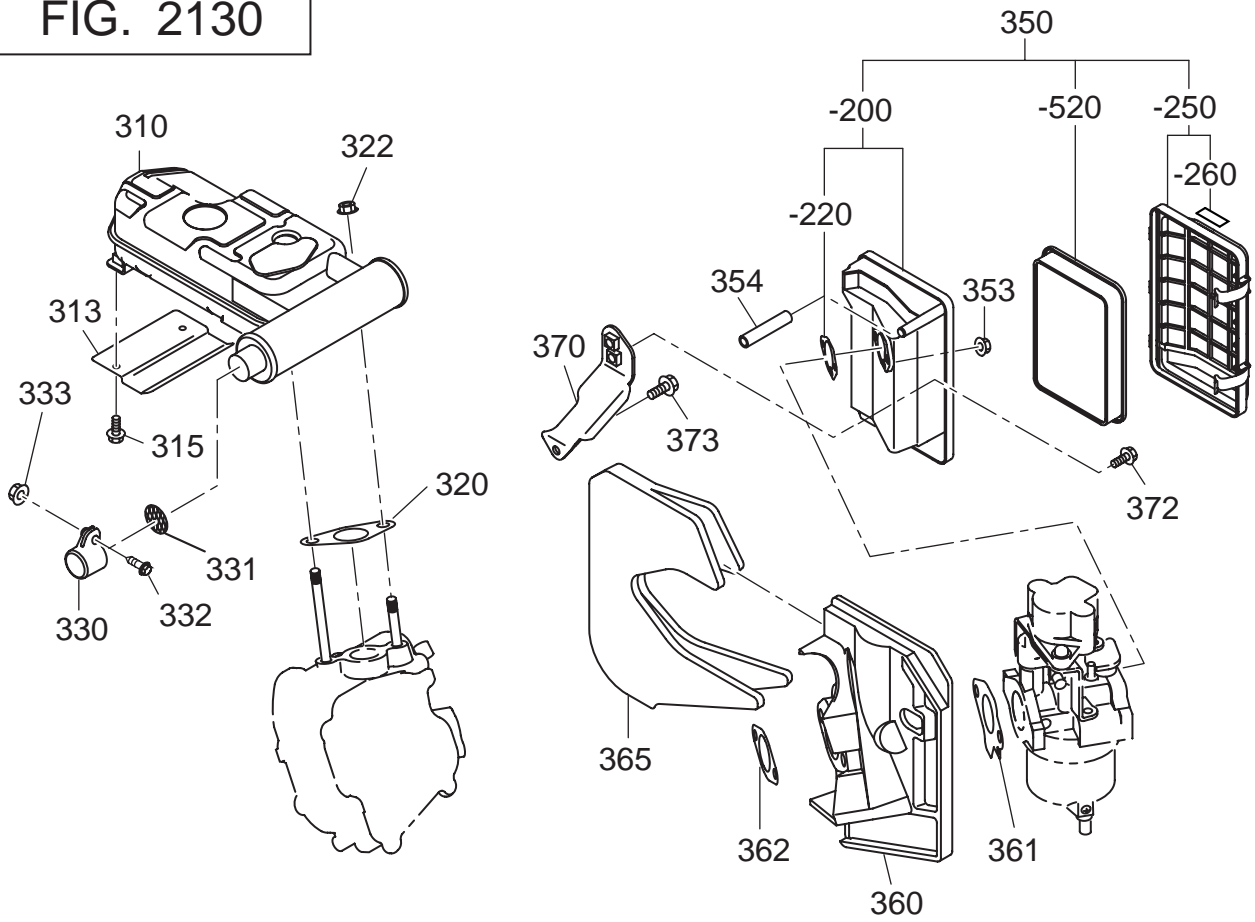






FIG. 2150

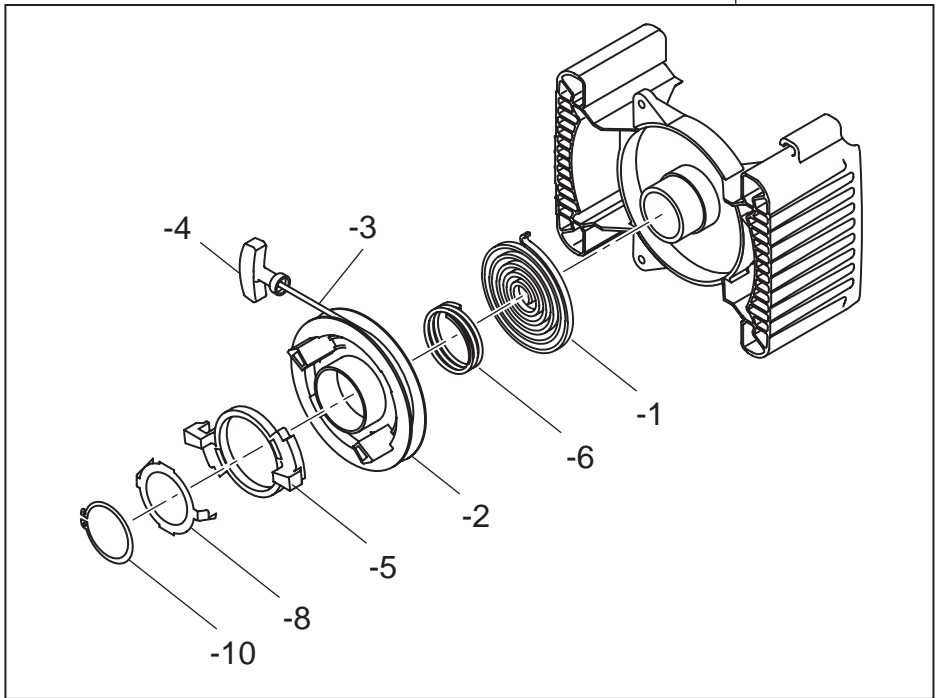
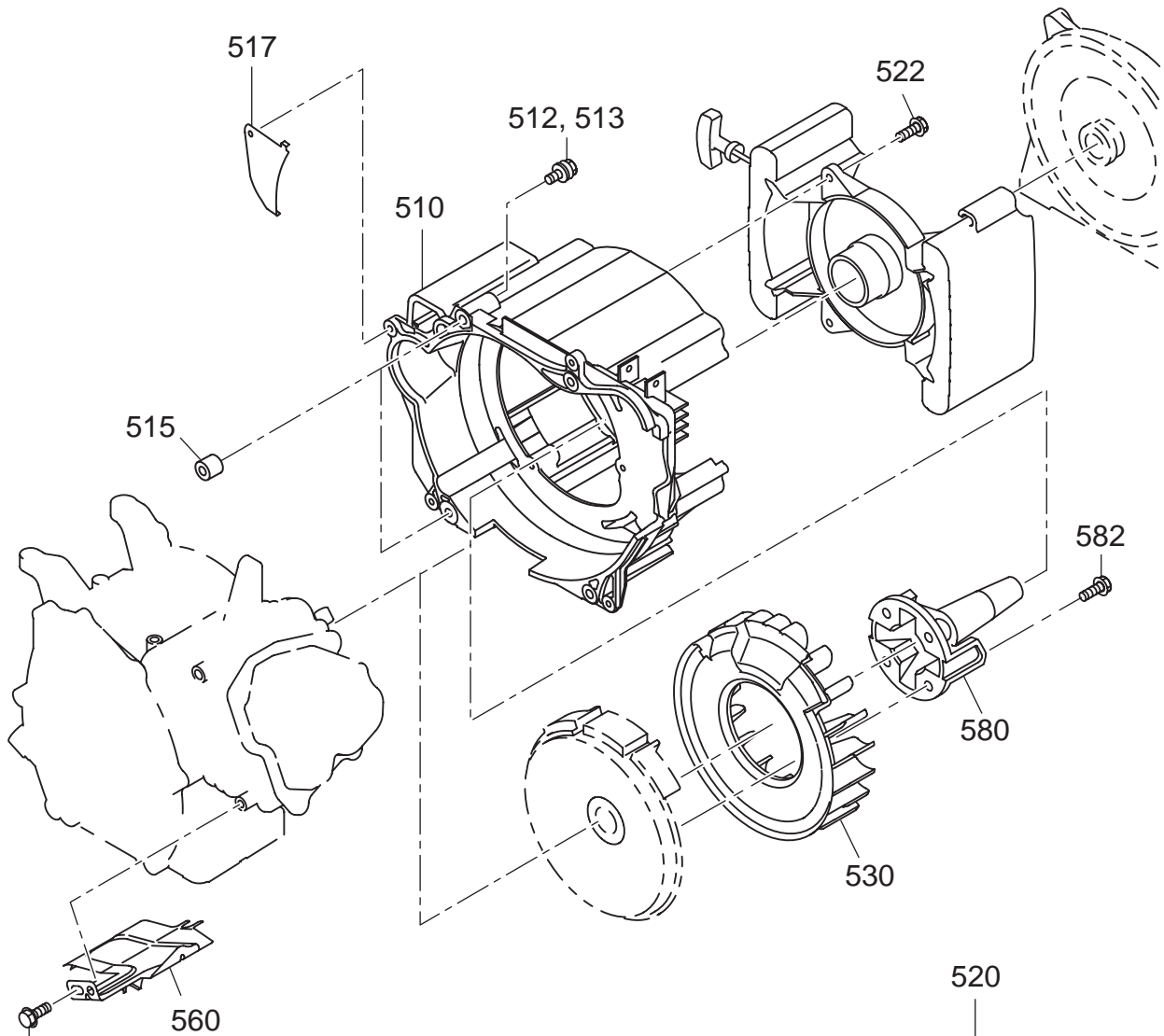
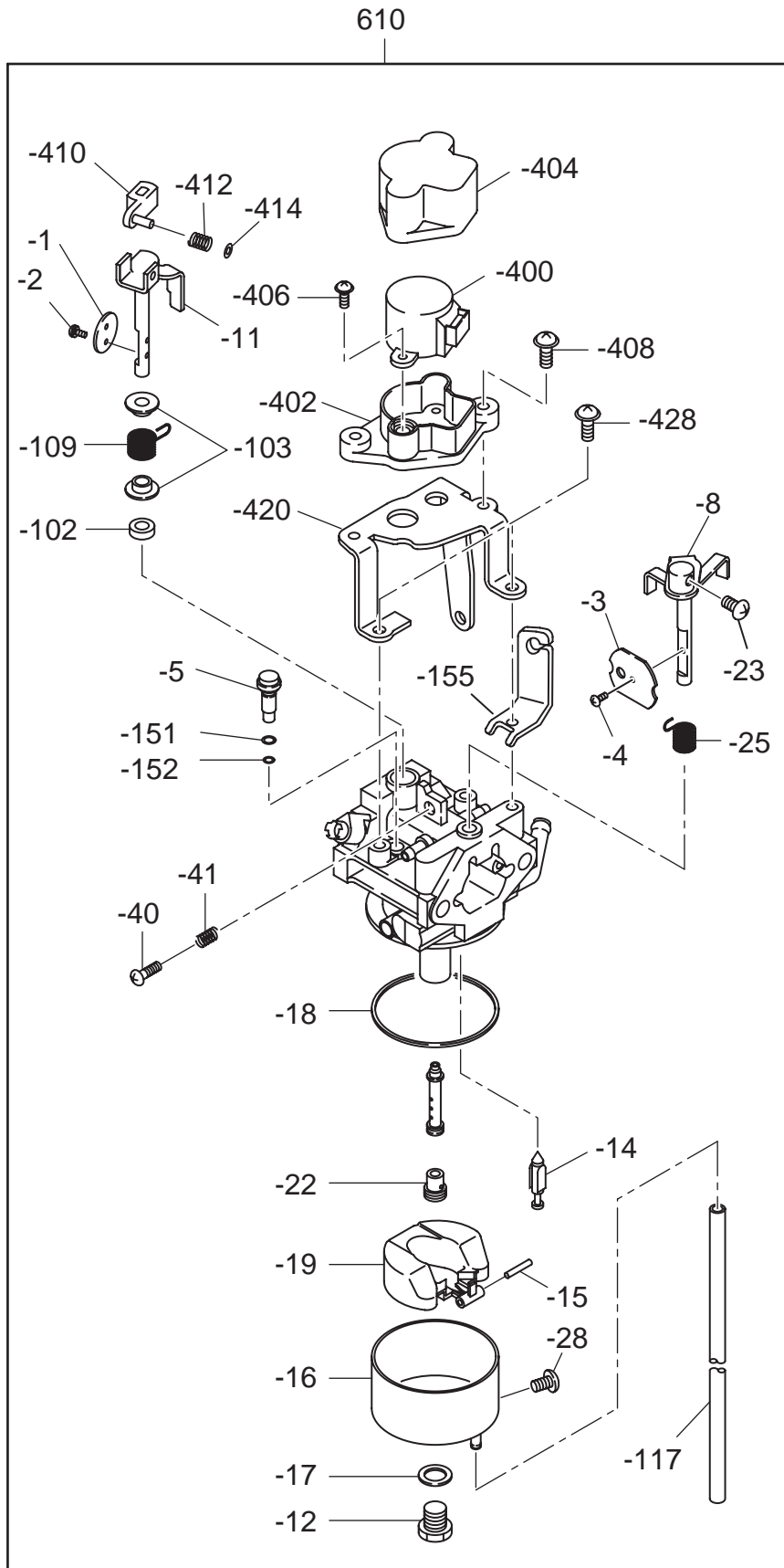




FIG. 2160



## 21 ENGINE AY

REF.	PART NUMBER	PART NAME	QTY	R E M A R K S	CODE NO.	INTERCHANGE P/NO.	UNIT P	FIG.
610	277-62330-20	CARBURETOR AY	1		-			2160
-1	277-62536-08	THROTTLE VALVE	1		-			2160
-2	284-62455-08	SCREW	2		-			2160
-3	284-62525-08	CHOKE VALVE	1		-			2160
-4	284-62455-08	SCREW	1		-			2160
-5	277-62422-08	SLOW JET	1		-			2160
-8	284-62520-08	CHOKE LEVER	1		-			2160
-11	277-62532-18	SHAFT SUB AY	1		-			2160
-12	284-62355-08	BOLT	1		-			2160
-14	279-62500-08	NEEDLE	1		-			2160
-15	284-62515-08	PIN	1		-			2160
-16	284-62550-08	FLOAT BODY	1		-			2160
-17	251-62350-08	PACKING	1		-			2160
-18	284-62540-08	CHAMBER PACKING	1		-			2160
-19	284-62505-08	FLOAT AY	1		-			2160
-22	277-62409-08	MAIN JET	1		-			2160
-23	284-62456-08	SCREW	1		-			2160
-25	284-62445-08	SPRING (CHOKE)	1		-			2160
-28	251-62661-08	DRAIN SCREW	1		-			2160
-40	277-62581-08	ADJUST SCREW	1		-			2160
-41	251-62449-08	SPRING	1		-			2160
-102	251-62559-08	SEAL	1		-			2160
-103	284-62561-08	COLLAR	2		-			2160
-109	284-62315-18	SPRING, THROTTLE	1		-			2160
-117	277-62590-08	VINYL PIPE	1		-			2160
-151	284-62451-08	O RING	1		-			2160
-152	284-62450-08	O RING	1		-			2160
-155	277-62451-08	BRACKET (WIRE)	1		-			2160
-400	284-62580-08	MOTOR	1		-			2160
-402	284-62576-18	BRACKET, MOTOR	1		-			2160
-404	277-62595-08	COVER (MOTOR)	1		-			2160
-406	284-62458-08	SCREW	2		-			2160
-408	284-62457-08	SCREW	2		-			2160
-410	284-62555-08	JOINT LEVER	1		-			2160
-412	284-62446-18	SPRING	1		-			2160
-414	284-62447-08	WASHER	1		-			2160
-420	284-62575-08	BRACKET	1		-			2160
-428	284-62457-08	SCREW	3		-			2160

FIG. 2170

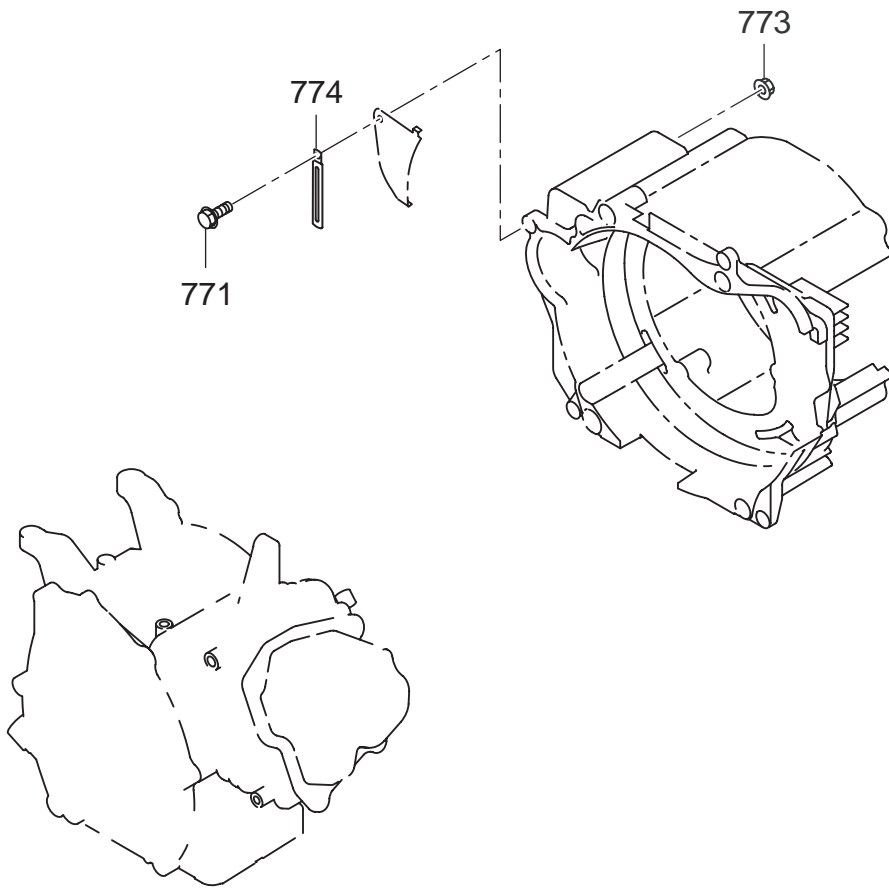




FIG. 2200

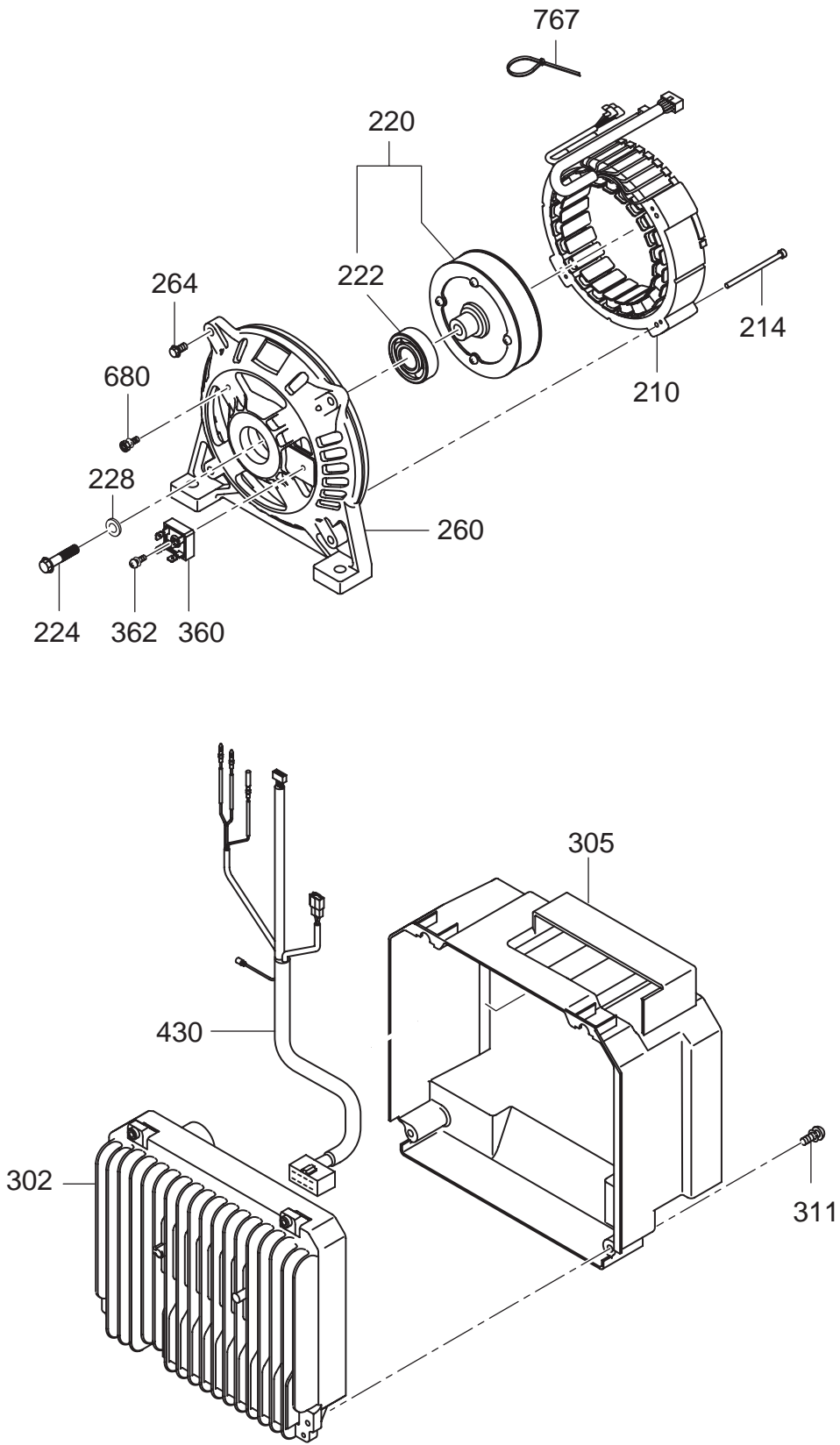






FIG. 2300

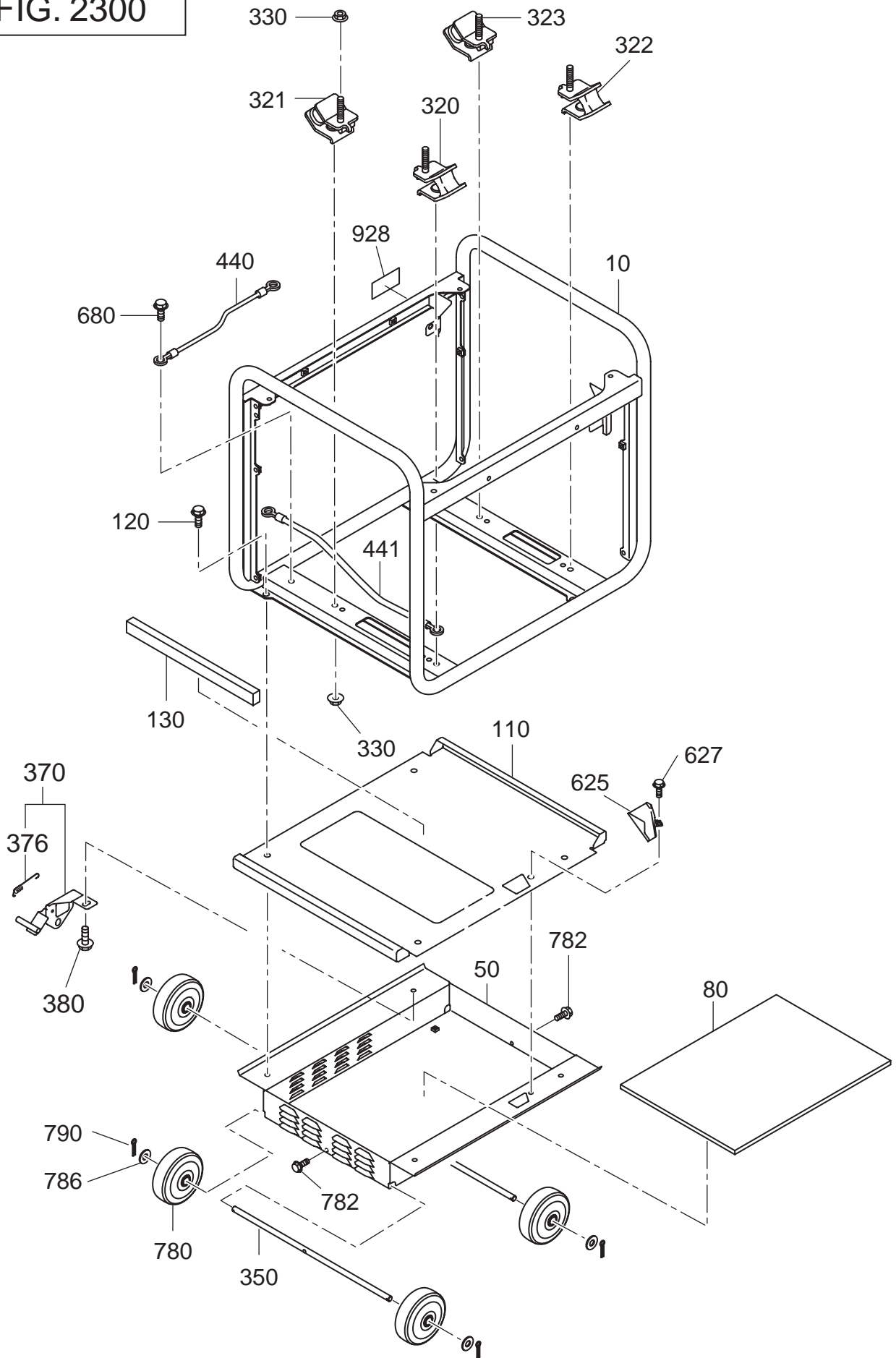
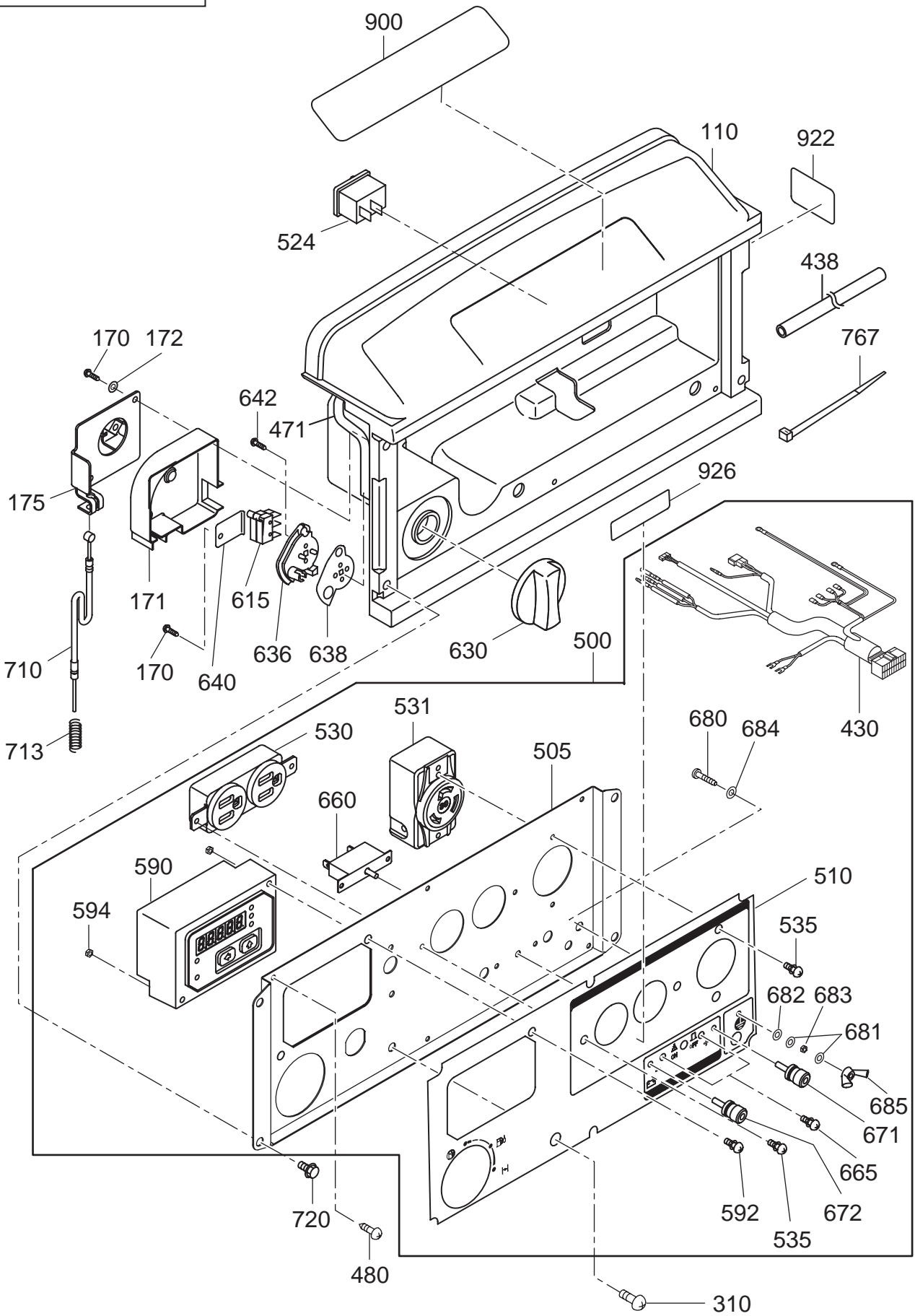




FIG. 2400



## 24 CONTROL

REF.	PART NUMBER	PART NAME	QTY	R E M A R K S	CODE NO.	INTERCHANGE P/NO.	UNIT P	FIG.
110	33B-50001-11	FRONT COVER (UPPER) CP	1		-			2400
170	33B-40002-08	TAPPING SCREW	3		-			2400
171	33B-46001-03	COVER (COCK)	1		-			2400
172	003-10040-00	WASHER	2		-			2400
175	33B-46012-11	BRACKET (COCK)	1		-			2400
310	33B-40004-08	SCREW AND WASHER AY	2		-			2400
430	34B-48013-01	WIRE HARNESS CP	1		-			2400
438	34G-49001-03	CORRUGATED TUBE	1		-			2400
471	34G-47001-03	SEAL SPONGE (C. BOX 1)	1		-			2400
480	353-49904-08	TAPPING SCREW	6		-			2400
500	34B-41139-30	CONTROL PANEL AY	1		-			2400
505	33B-45002-01	PANEL PLATE	1		-			2400
510	34B-49027-33	SHEET (PANEL VR) 27	1		-			2400
524	33B-40007-08	SWITCH AY	1		-			2400
530	388-85002-01	AC CONCENT	1	125V/15A	-			2400
531	33B-40006-08	CONCENT (30A TWIST)	1		-			2400
535	351-49920-08	SCREW & WASHER AY	4		-			2400
590	KU3-11763-01	MONITOR C/U CP (INV8)	1		-			2400
592	33B-40003-08	SCREW AND WASHER AY	2		-			2400
594	002-17040-00	NUT	2		-			2400
615	33K-41811-03	MICRO SWITCH	2		-			2400
630	33K-42010-03	CONTROL DIAL	1		-			2400
636	33K-42020-03	CHOKE REEL	1		-			2400
638	33K-42030-23	PLATE	1		-			2400
640	33B-46015-01	BRACKET (MICRO)	1		-			2400
642	33B-40001-08	TAPPING SCREW	2		-			2400
660	32B-43041-03	CIRCUIT BREAKER	1	DC 10A	-			2400
665	31B-79011-03	SCREW & WASHER AY	2		-			2400
671	363-45701-08	TERMINAL BOLT	1	RED 20A	-			2400
672	363-45700-08	TERMINAL BOLT	1	BLACK 20A	-			2400
680	388-88001-03	SCREW AND WASHER AY	1		-			2400
681	332-00050-08	SPRING WASHER	2		-			2400
682	353-49903-08	WASHER	1		-			2400
683	353-49902-08	NUT	1		-			2400
684	003-30050-00	LOCK WASHER	1		-			2400
685	353-49901-08	WING NUT	1		-			2400
710	33B-46021-01	CHOKE WIRE CP	1		-			2400
713	226-45001-03	RETURN SPRING	1	14-8DX0. 8DX60L N=14	-			2400
720	014-00601-90	SCREW	4		-			2400
767	056-30000-20	WIRE BAND	3	2. 5BX1. 2TX100L	-			2400

FIG. 2400

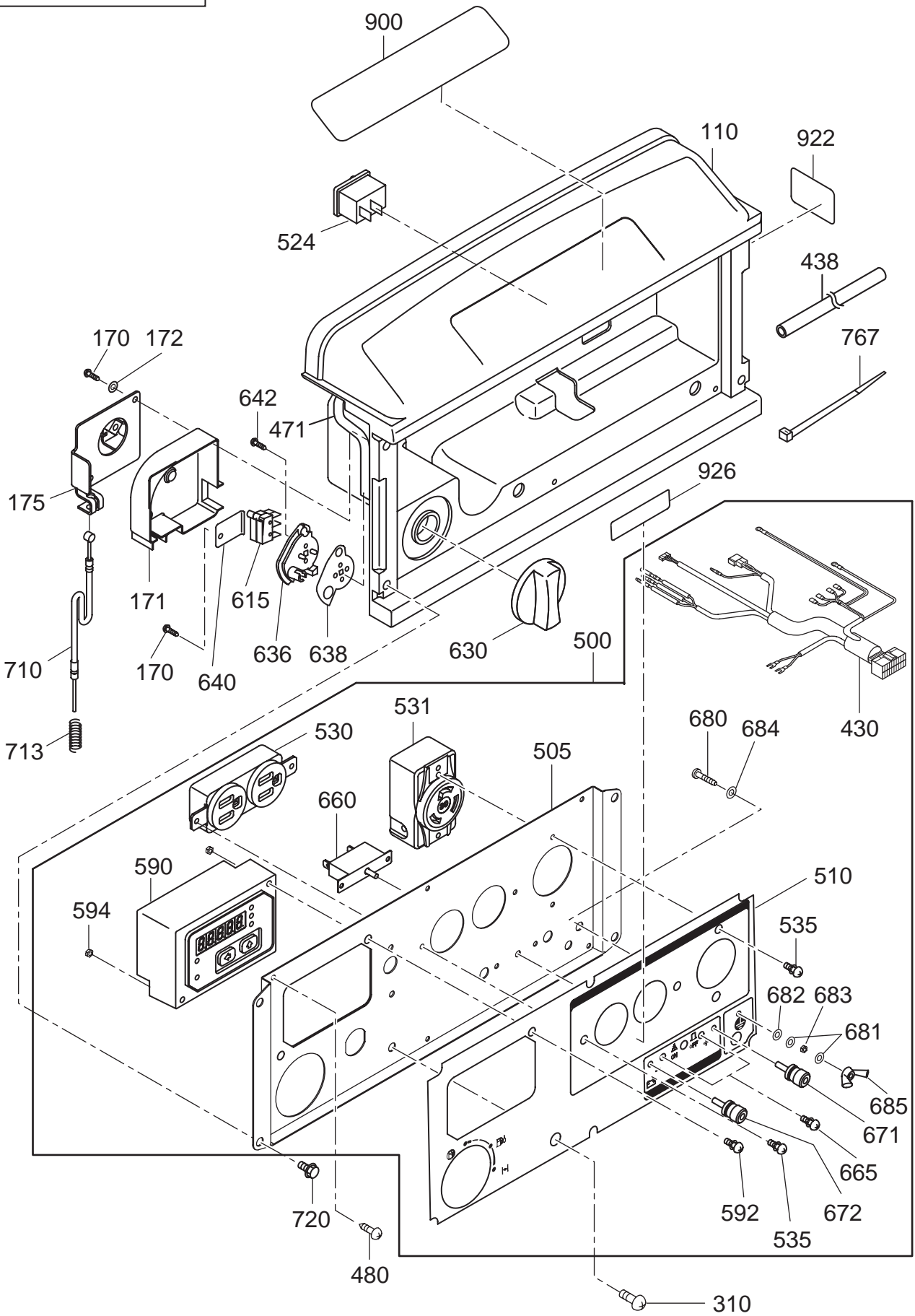
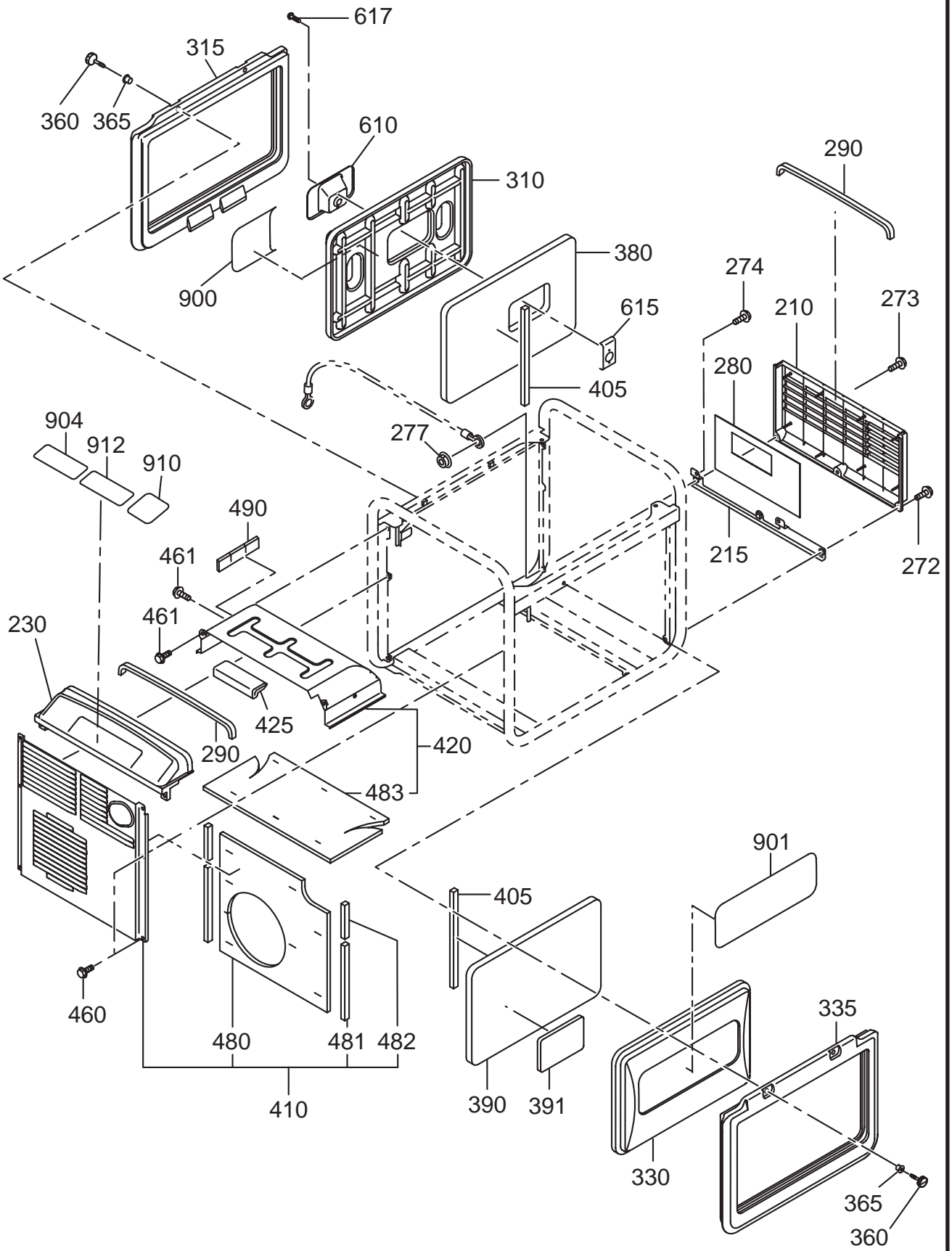




FIG. 2500



## 25 COVER

REF.	PART NUMBER	PART NAME	QTY	R E M A R K S	CODE NO.	INTERCHANGE P/NO.	UNIT P	FIG.
210	33B-50101-01	FRONT COVER (LOWER) CP	1		-			2500
215	33B-35501-01	BRACKET (COVER) CP	1		-			2500
230	33B-50501-01	REAR COVER (UPPER) CP	1		-			2500
272	011-00601-80	FLANGE BOLT	2	M6X1. 0X14DX18L	-			2500
273	001-11062-50	BOLT AND WASHER AY	1		-			2500
274	011-00600-20	FLANGE BOLT	2	M6X1. 0X14DX12L	-			2500
277	002-38060-00	FLANGE NUT	1	M6X1. 0X13DX6H	-			2500
280	34B-57310-03	SEAL SPONGE FC1	1		-			2500
290	34B-57311-03	SEAL SPONGE FC2	2		-			2500
310	34G-51001-01	SIDE COVER (R) CP	1		-			2500
315	34G-55101-03	SIDE RUBBER SEAL	1		-			2500
330	34G-51101-01	SIDE COVER (L) CP	1		-			2500
335	34G-55101-03	SIDE RUBBER SEAL	1		-			2500
360	34G-55303-01	COVER BOLT	4		-			2500
365	34G-55304-01	SPACER	4		-			2500
380	34G-59001-23	SPONGE (S COVER-R)	1		-			2500
390	34G-59002-13	SPONGE (S COVER-L)	1		-			2500
391	34G-59008-03	SPONGE (S COVER-L)	1		-			2500
405	34G-57321-03	SEAL SPONGE (SIDE)	2		-			2500
410	33B-56411-11	MUF COVER (REAR) CP	1		-			2500
420	34G-56351-01	MUFFLER COVER (L) CP	1		-			2500
425	33B-57005-03	SEAL RUBBER	1		-			2500
460	011-00601-80	FLANGE BOLT	6	M6X1. 0X14DX18L	-			2500
461	011-00600-80	FLANGE BOLT	4	M6X1. 0X14DX12L	-			2500
480	33B-57105-03	GLASS WOOL (M-COVER)	1		-			2500
481	34G-57331-03	SPONGE1 (M. COVER)	2		-			2500
482	34G-57332-03	SPONGE2 (M. COVER)	2		-			2500
483	33B-57103-03	GLASS WOOL	1		-			2500
490	34G-57322-03	SEAL SPONGE (MF17. 21)	2		-			2500
610	34G-55001-11	COVER (RECOIL KNOB) CP	1		-			2500
615	34G-55002-01	PLATE CP	1		-			2500
617	004-35061-00	SCREW AND WASHER AY	2	M6X1. 0X10L W/SW	-			2500
900	34G-91002-03	LABEL, TRADE MARK-R	1		-			2500
901	34G-92002-13	LABEL (TRADE MARK-L)	1		-			2500
904	34G-96003-03	LABEL, SPEC	1		-			2500
910	073-20046-50	LABEL (WARNING)	1	44X62 JAPAN	-			2500
912	33K-94001-03	LABEL (CAUTION)	1	40X90 JAPAN	-			2500



FIG. 2510

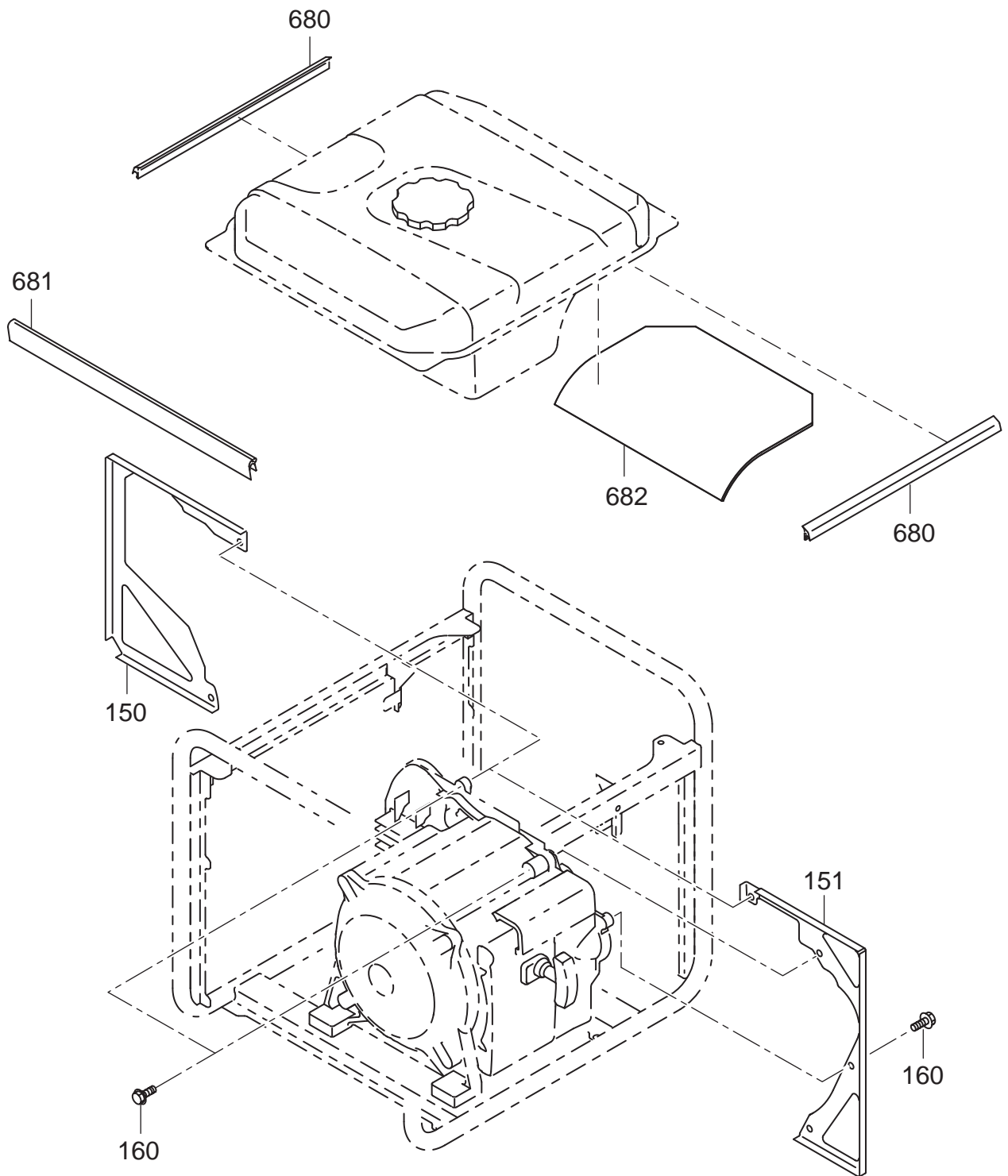




FIG. 2600

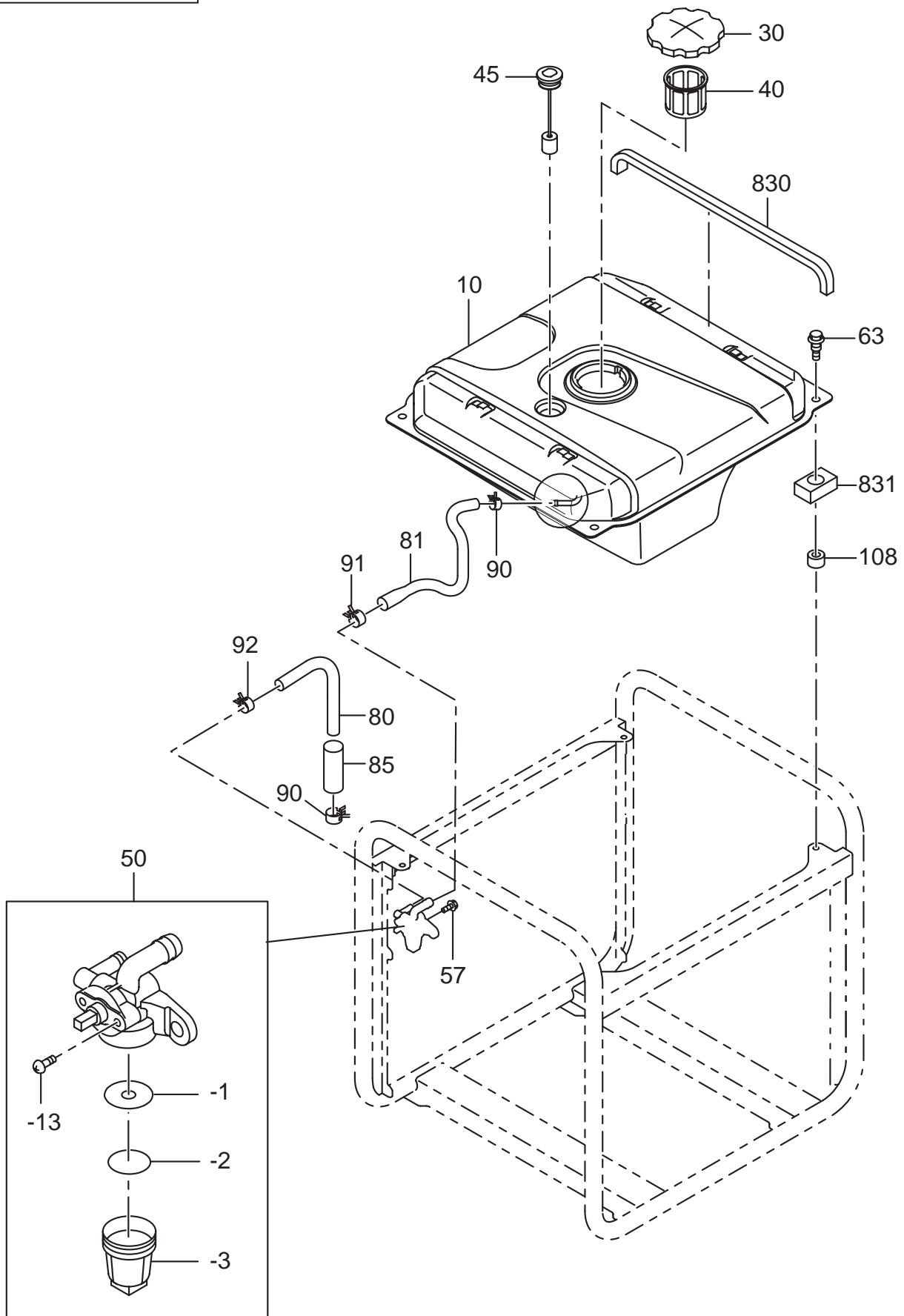




FIG. 2900

