

---

Model **SGi38SE**

# **PARTS CATALOG**

**Spec. No. RAS43031511**  
**(E/G Spec.No. EX270DS2081)**

# CONTENTS

## ENGINE PARTS

	FIG.
1 CRANK CASE	100
2 CRANKSHAFT, PISTON	200
3 INTAKE EXHAUST	300
4 GOVERNOR OPERATION	400
7 ELECTRIC DEVICE	700-720

## GENERATOR PARTS

21 ENGINE AY	2110·2130·2150·2160·2170
(INC.MUFFLER, AIR CLEANER, STARTER, CARBURETOR, ELECTRIC DEVICE)	
22 GENERATOR	2200
23 BASE FRAME	2300
24 CONTROL	2400
25 COVER	2500·2510
26 FUEL TANK	2600
29 ACCESSORIES	2900

FIG. 100

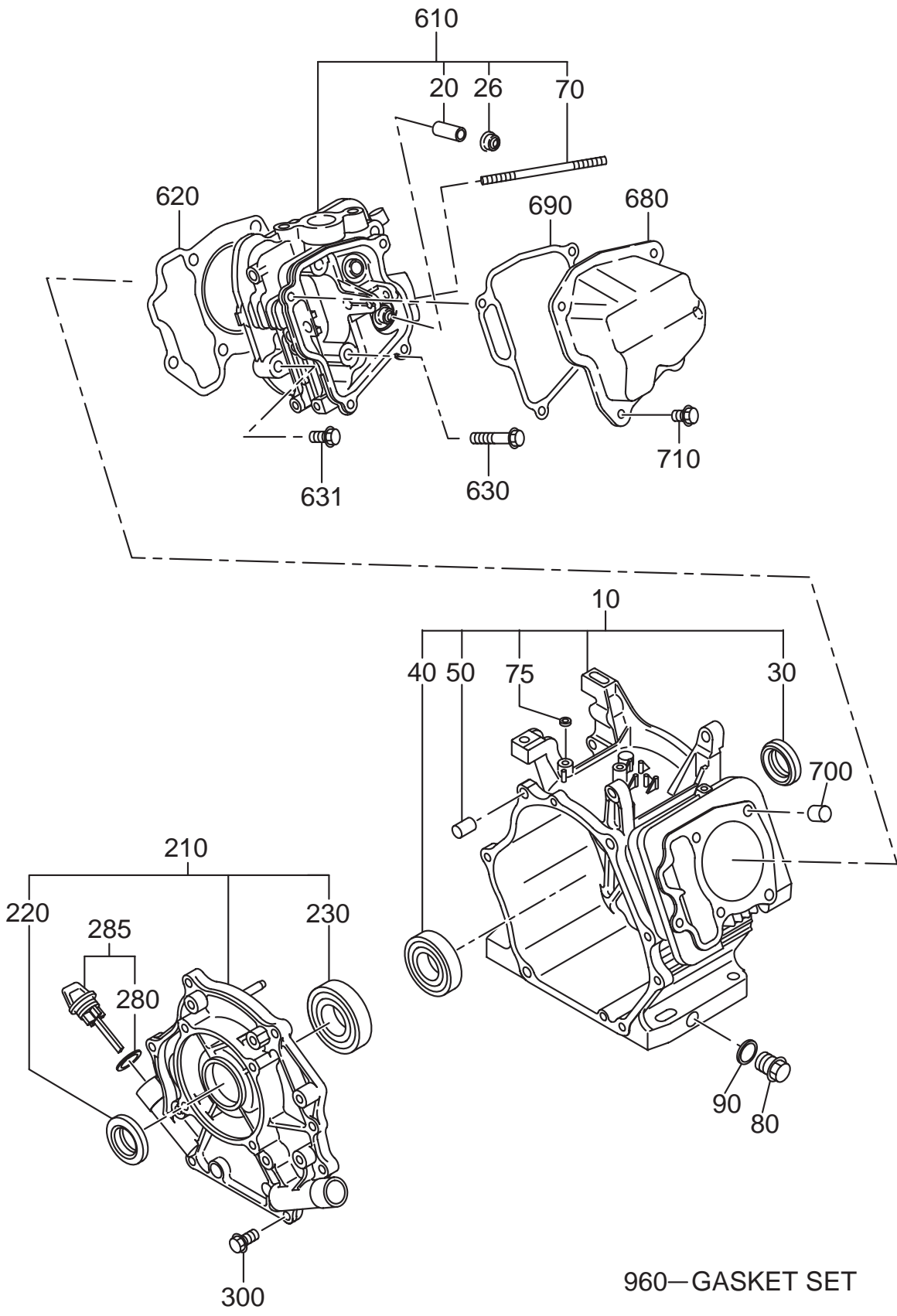




FIG. 200

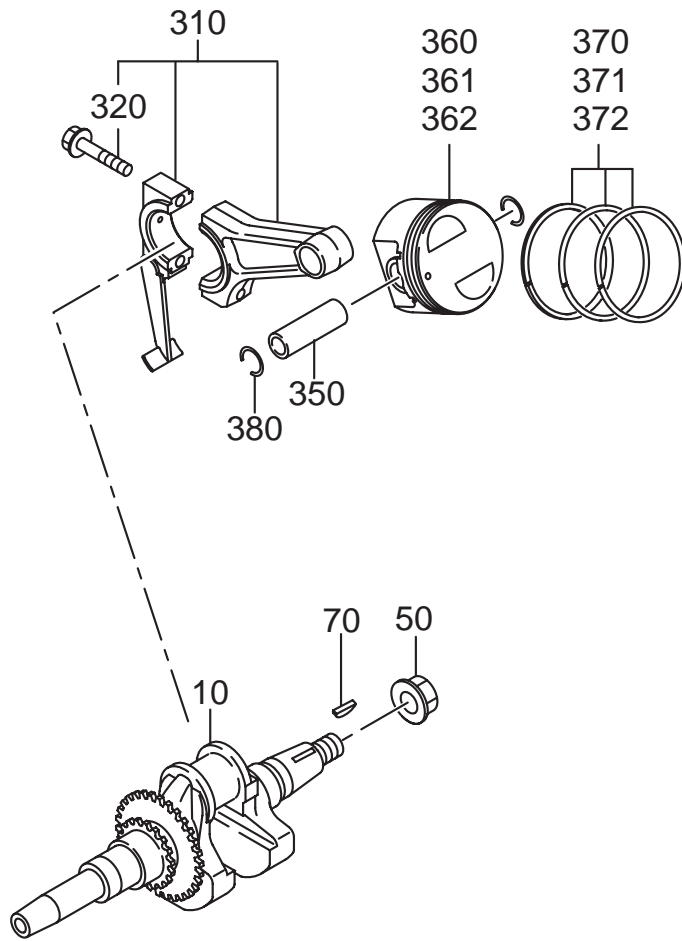




FIG. 300

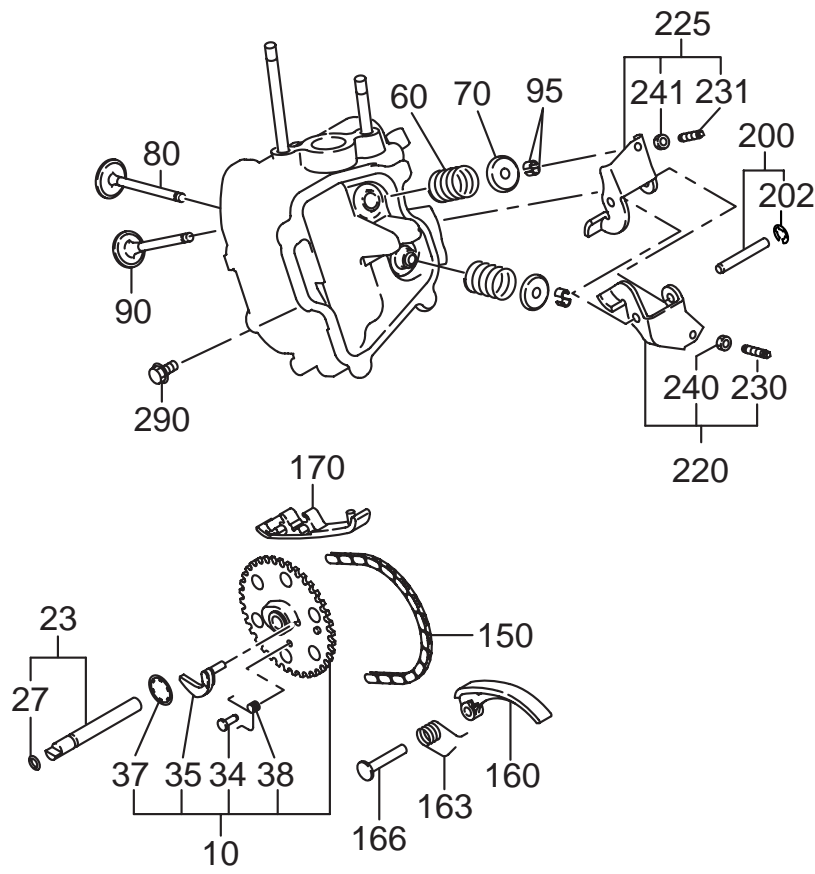






FIG. 400

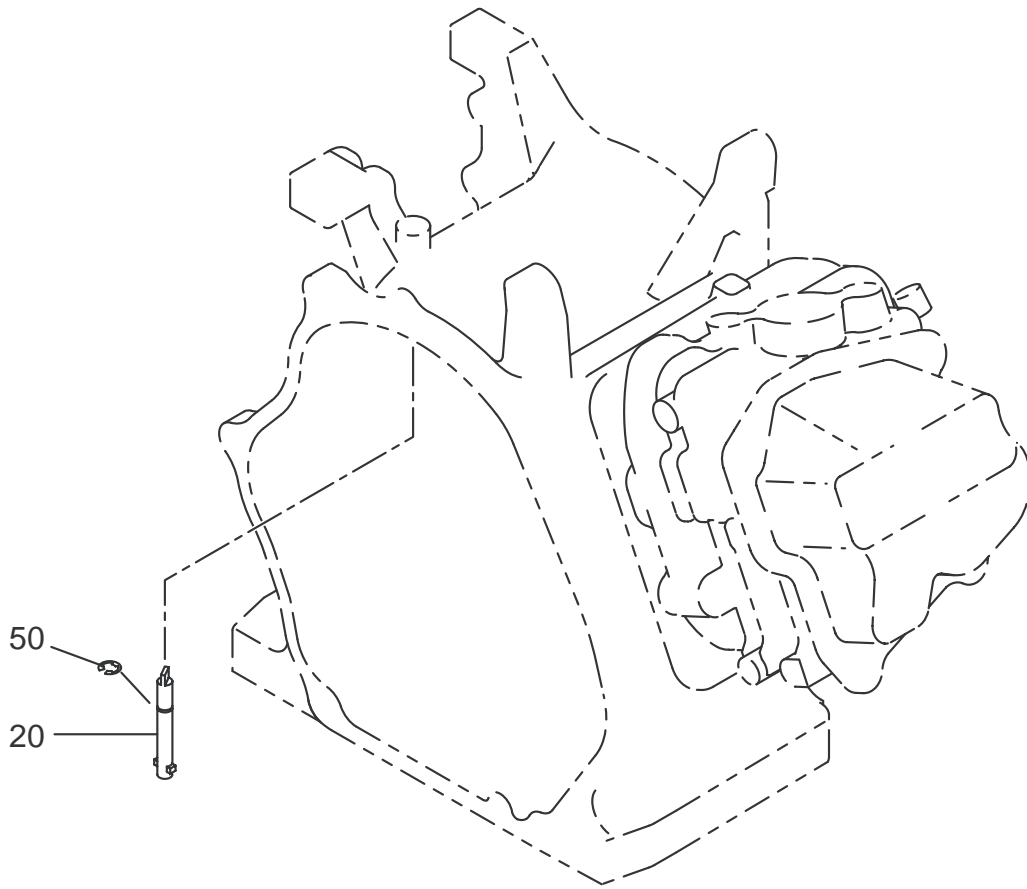




FIG. 700

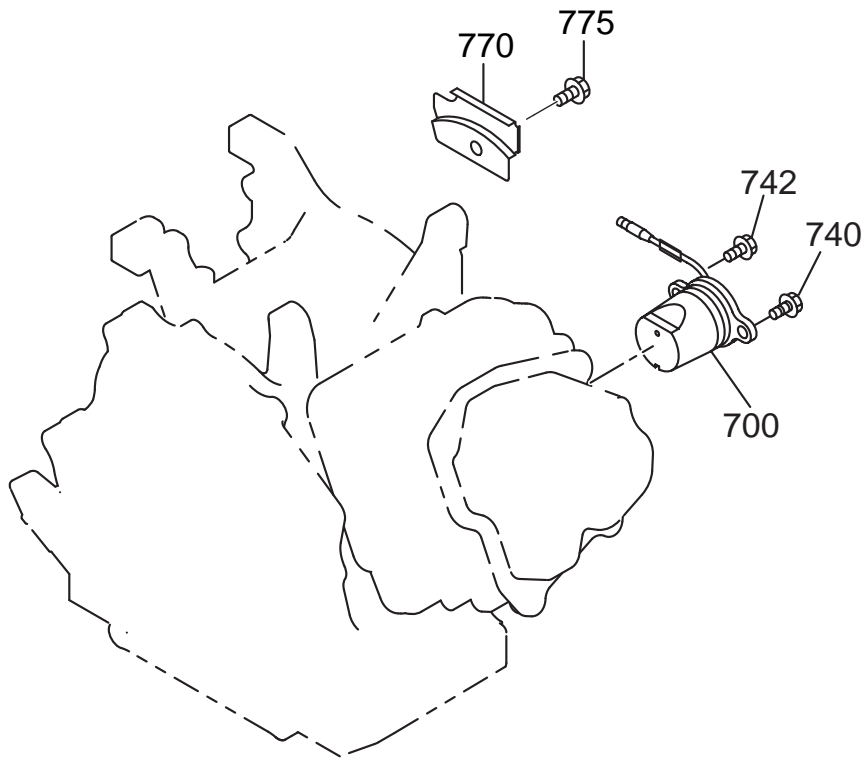
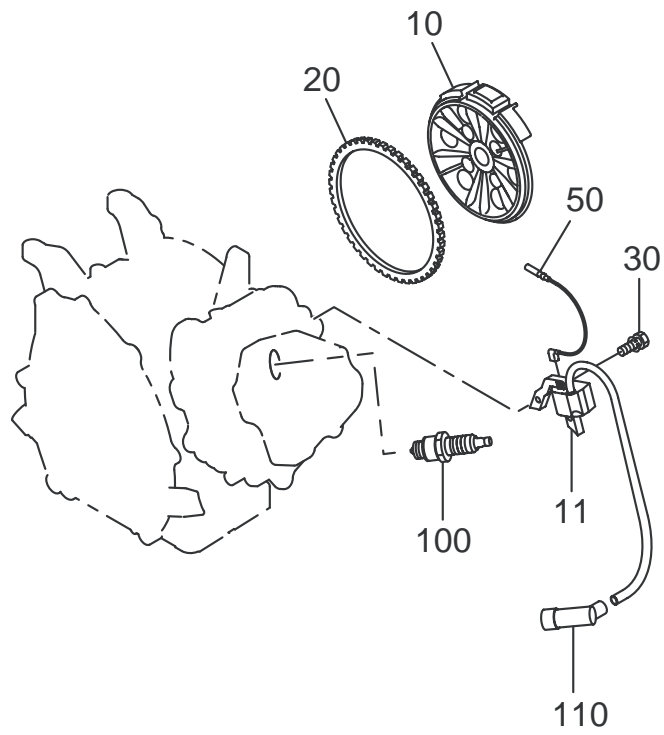




FIG. 720

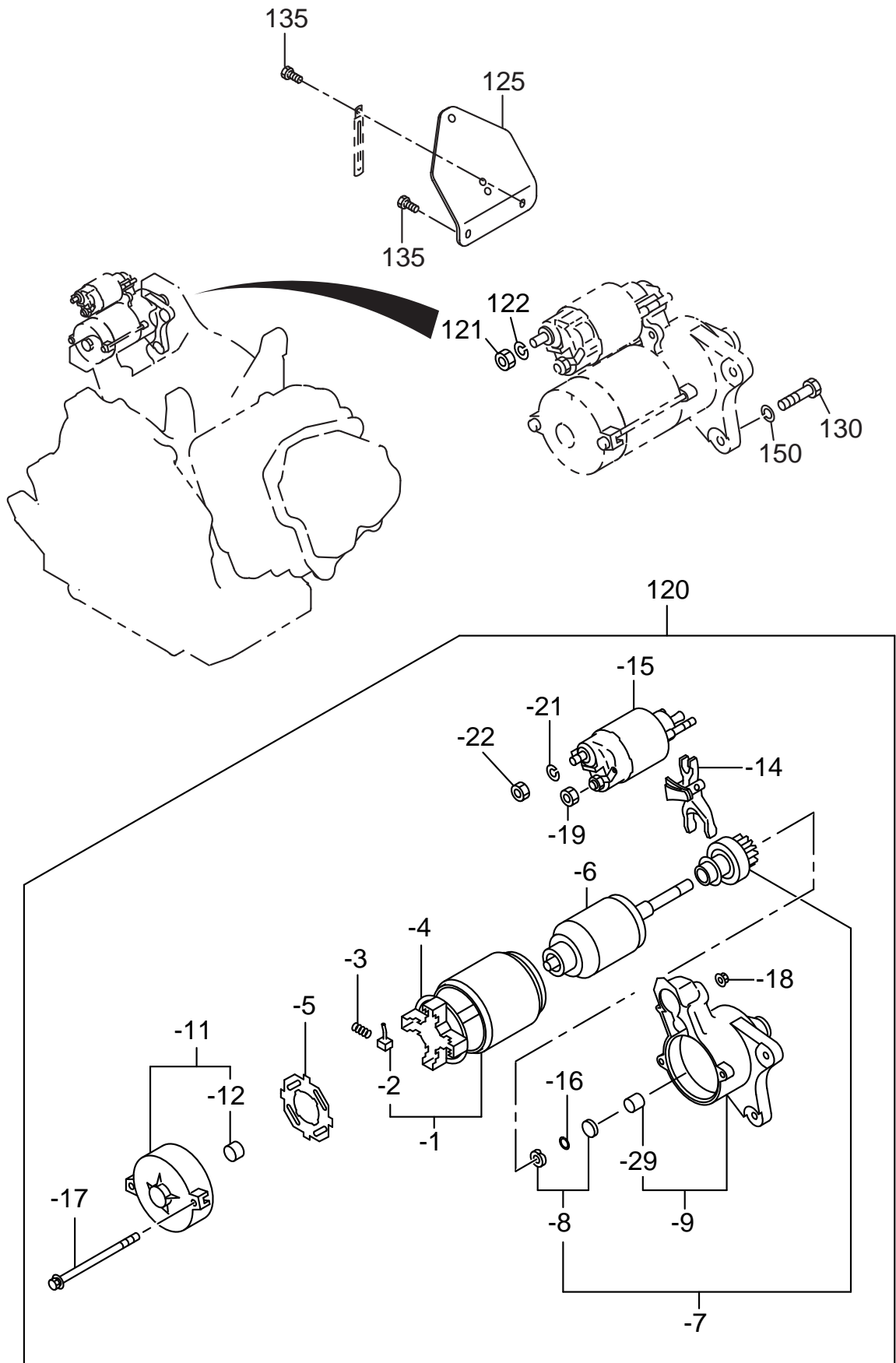




FIG.2110

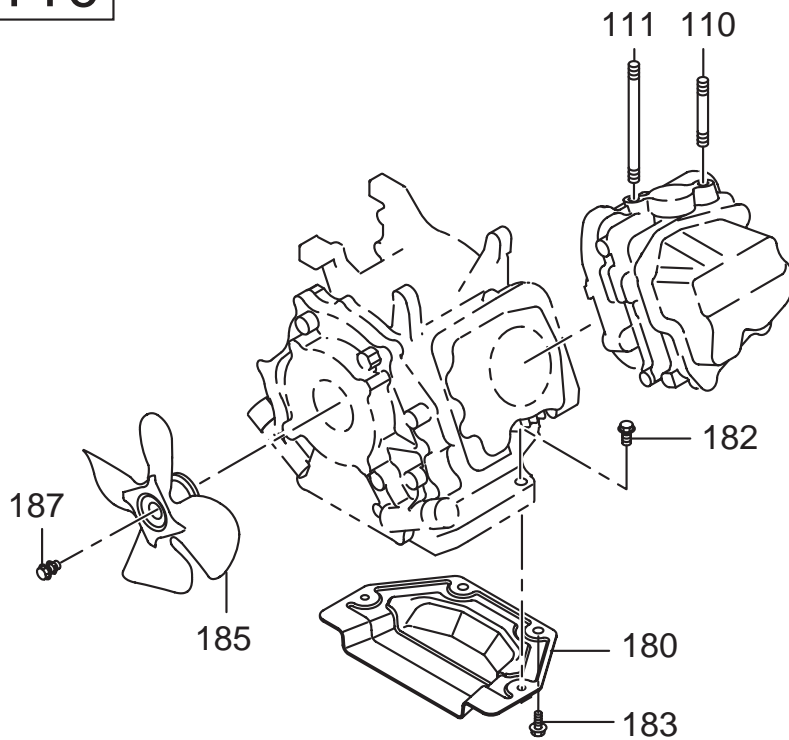
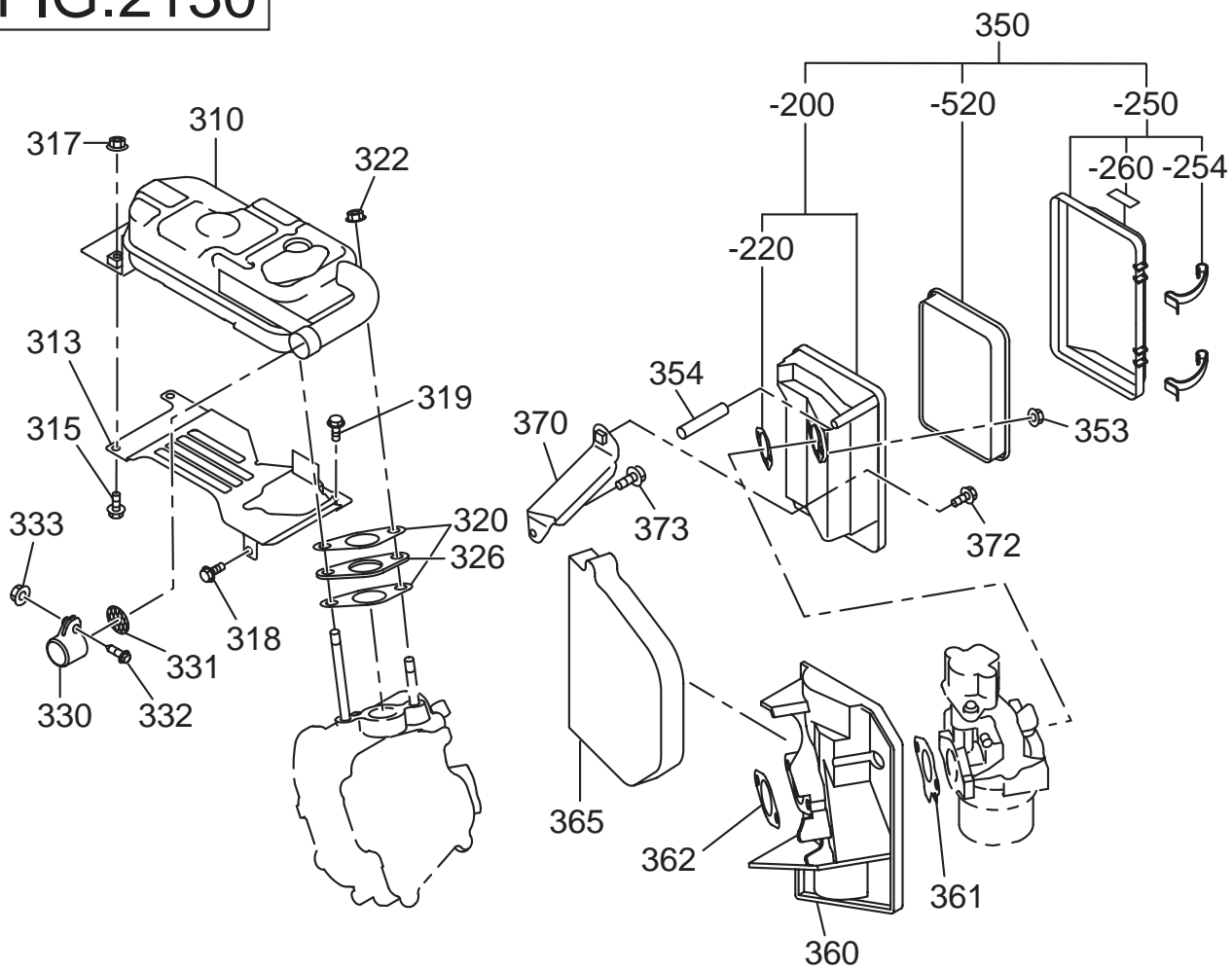


FIG.2130



## 21 ENGINE

REF.	PART NUMBER	PART NAME	QTY	R E M A R K S	CODE NO.	INTERCHANGE P/NO.	UNIT P	FIG.
110	010-50802-90	STUD	1	M8X1.25X30L	-			2110
111	010-50804-40	STUD	1	M8X1.25X120L	-			2110
180	33D-35001-11	BOTTOM EXT. PLATE CP	1		-			2110
182	011-00802-70	FLANGE BOLT	2	M8X1.25X16DX33L	-			2110
183	011-00801-50	FLANGE BOLT	2	M8X1.25X16DX12L	-			2110
185	34J-54101-01	FAN (SILENT) CP	1		-			2110
187	013-01000-60	BOLT AND WASHER AY	1	M10X1.5X30L W/W, SW	-			2110
310	279-30411-61	MUFFLER CP(SILENT)	1		-			2130
313	33D-52601-03	BAFFLE	1		-			2130
315	011-00802-70	FLANGE BOLT	2	M8X1.25X16DX33L	-			2130
317	002-38080-00	FLANGE NUT	2	M8X1.25X17DX7.5H	-			2130
318	011-00803-20	FLANGE BOLT	1	M8X1.25X16DX12L	-			2130
319	011-00600-10	FLANGE BOLT	2	M6X1.0X14DX8L	-			2130
320	277-35201-13	GASKET (MUFFLER)	2	T=0.2 26D 9DX58P	-			2130
322	002-38080-00	FLANGE NUT	2	M8X1.25X17DX7.5H	-			2130
326	279-39201-03	FLANGE	1		-			2130
330	277-37210-03	TAIL SCREEN COVER	1		-			2130
331	277-37221-03	SCREEN 2	1		-			2130
332	004-35051-60	SCREW AND WASHER AY	1		-			2130
333	002-18050-00	NUT	1		-			2130
350	279-32622-10	AIR CLEANER AY	1	GENERATOR	-			2130
-200	279-32635-18	CLEANER BODY COMP	1		-			2130
-220	279-32650-18	GASKET	1		-			2130
-250	279-32646-08	COVER COMP	1		-			2130
-254	279-32683-08	CLIP 4	2	SK5 GEOMET+PLUS	-			2130
-260	073-20044-30	LABEL (CHOKE)	1	14X28 ILLUSTR	-			2130
-520	279-32612-08	ELEMENT	1	GENERATOR	-			2130
353	002-38060-00	FLANGE NUT	2	M6X1.0X13DX6H	-			2130
354	279-32760-08	RUBBER PIPE	1	8DX11DX115L	-	085-10800-00		2130
360	279-32910-13	INSULATOR	1		-			2130
361	279-35902-J3	GASKET1 (INSULATOR)	1	T=0.5	-			2130
362	279-35903-J3	GASKET2 (INSULATOR)	1	T=0.5	-			2130
365	279-39701-13	SPONGE (INSULATOR)	1		-			2130
370	279-39004-01	BRACKET (A/C) CP	1		-			2130
372	011-00600-50	FLANGE BOLT	1	M6X1.0X13DX20L	-			2130
373	011-00600-20	FLANGE BOLT	1	M6X1.0X14DX12L	-			2130



FIG.2150

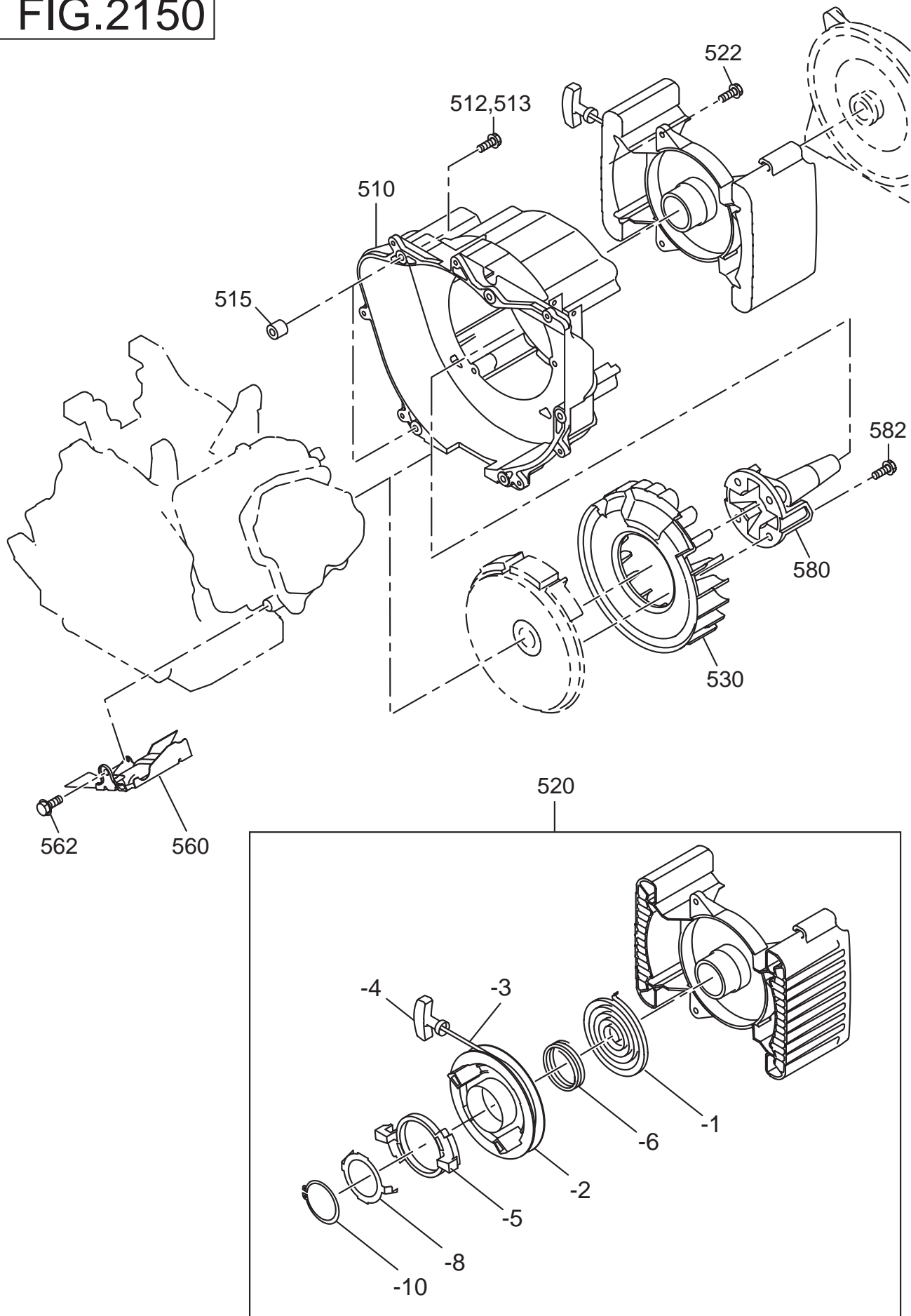
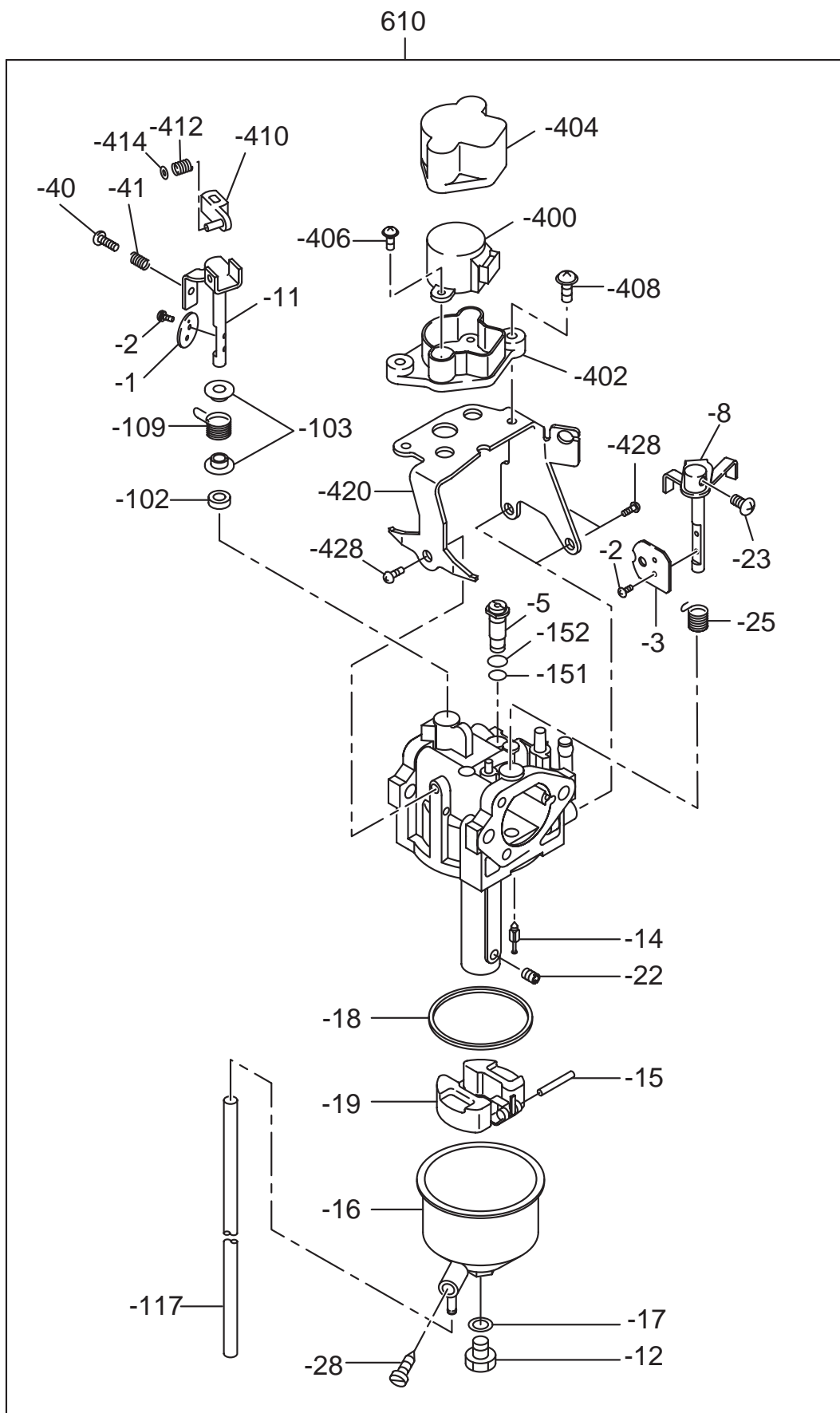




FIG.2160



## 21 ENGINE

REF.	PART NUMBER	PART NAME	QTY	R E M A R K S	CODE NO.	INTERCHANGE P/NO.	UNIT P	FIG.
610	279-62330-10	CARBURETOR AY	1		-			2160
- 1	279-62535-08	VALVE, THROTTLE	1		-			2160
- 2	251-62450-08	SCREW	4		-			2160
- 3	279-62526-08	VALVE, CHOKE	1		-			2160
- 5	279-62420-08	JET, SLOW	1	#40	-			2160
- 8	279-62521-08	SHAFT SUB ASSY, CHOKE	1		-			2160
- 11	279-62531-18	SHAFT AY, THROTTLE	1		-			2160
- 12	251-62453-08	SCREW	1		-			2160
- 14	279-62500-08	VALVE ASSY, NEEDLE	1		-			2160
- 15	279-62515-08	PIN, FLOAT LEVER	1		-			2160
- 16	279-62553-08	CHAMBER AY, FLOAT	1		-			2160
- 17	251-62350-08	GASKET	1		-			2160
- 18	279-62540-08	GASKET, CHAMBER	1		-			2160
- 19	279-62505-08	FLOAT SUB ASSY	1		-			2160
- 22	279-62400-08	JET, MAIN	1	#98	-			2160
- 23	284-62456-08	SCREW	1		-			2160
- 25	279-62447-08	SPRING, CHOKE	1		-			2160
- 28	279-62581-08	SCREW, DRAIN	1		-			2160
- 40	279-62353-18	SCREW, ADJUSTING	1		-			2160
- 41	279-62445-08	SPRING	1		-			2160
-102	279-62561-08	BUSH	1		-			2160
-103	279-62565-08	COLLAR	2		-			2160
-109	279-62449-18	SPRING, THROTTLE	1		-			2160
-117	279-62590-08	VINYL PIPE	1		-			2160
-151	279-62451-08	O-RING	1		-			2160
-152	279-62452-08	O-RING	1		-			2160
-400	284-62580-08	MOTOR	1		-			2160
-402	284-62576-18	BRACKET, MOTOR	1		-			2160
-404	277-62595-08	COVER, MOTOR	1		-			2160
-406	284-62458-08	SCREW	2		-			2160
-408	284-62457-08	SCREW	2		-			2160
-410	279-62600-08	JOINT LEVER	1		-			2160
-412	284-62446-18	SPRING	1		-			2160
-414	284-62447-08	WASHER	1		-			2160
-420	279-62575-08	BRACKET	1		-			2160
-428	279-62580-08	SCREW	3		-			2160

FIG.2170

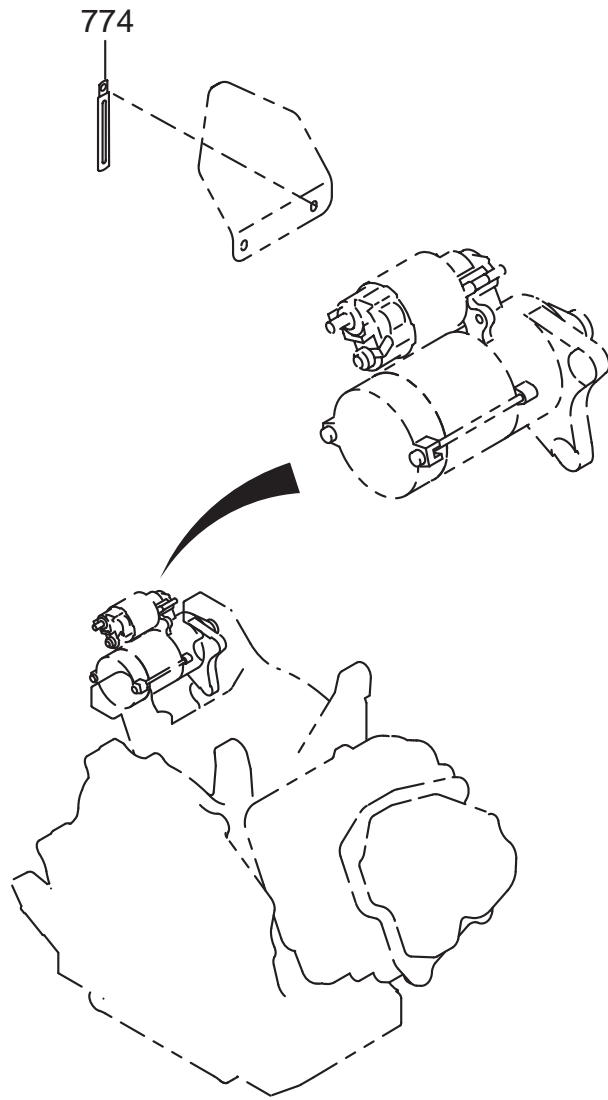




FIG.2200

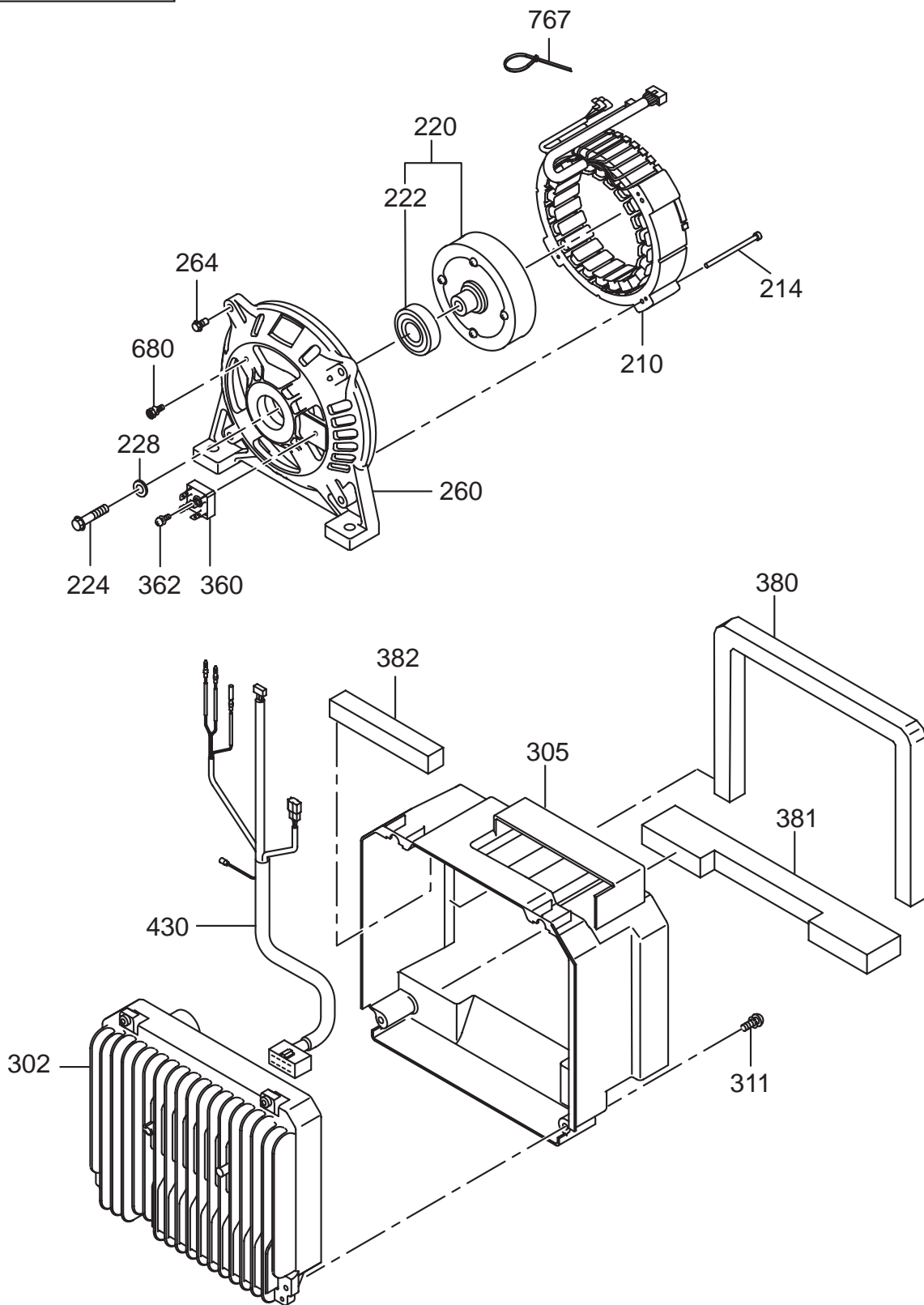






FIG.2300

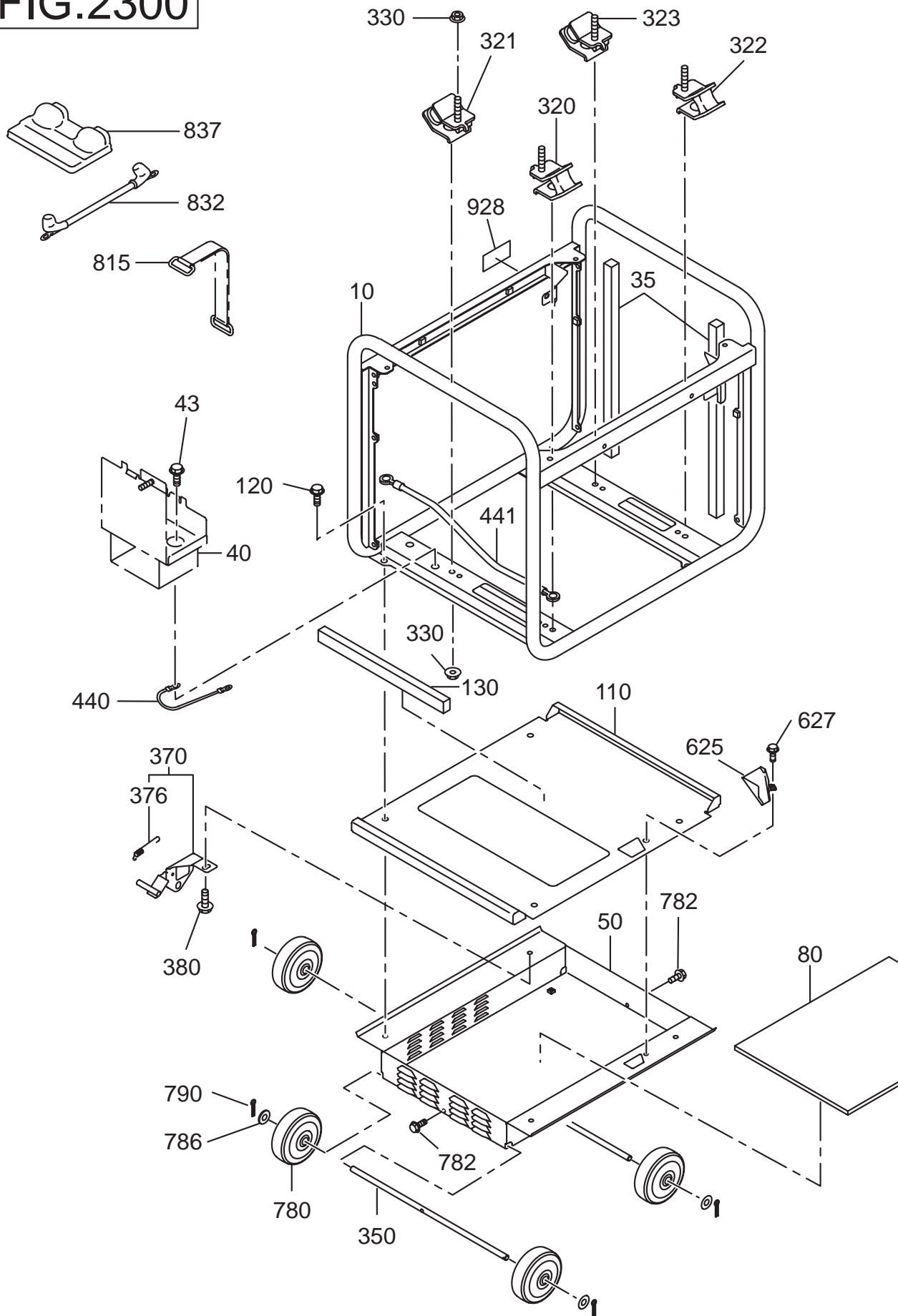
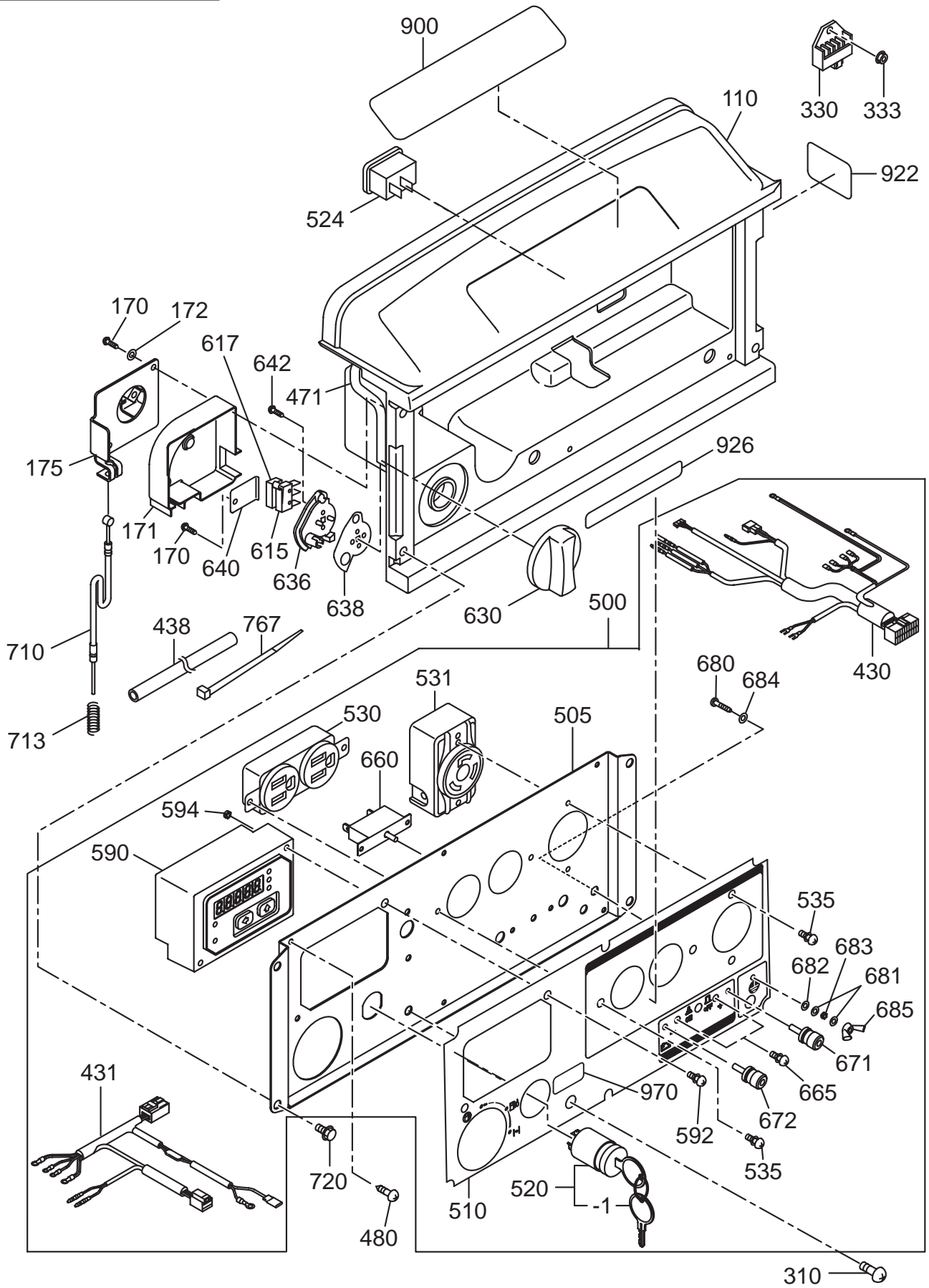




FIG.2400



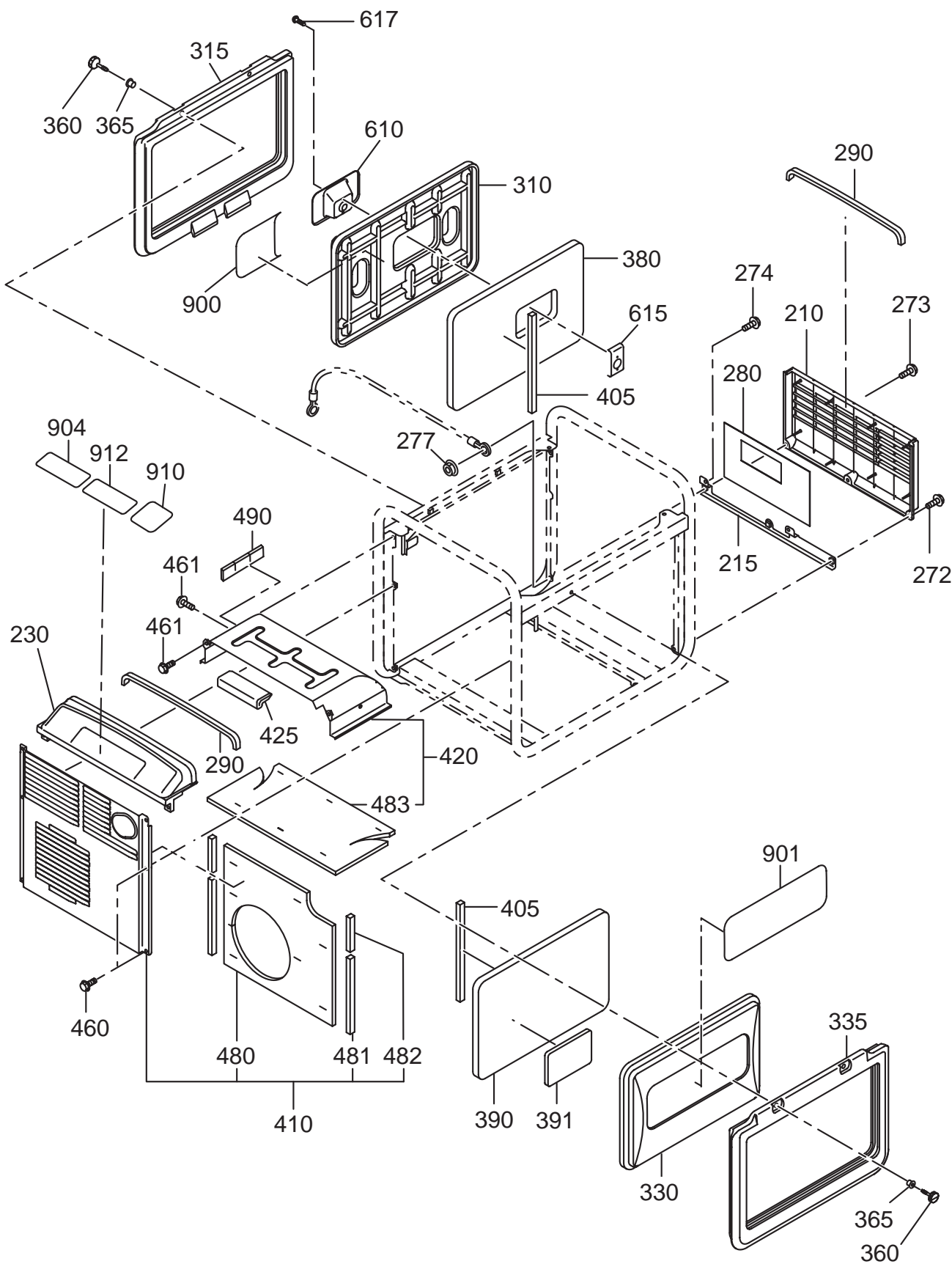
## 24 CONTOROL

REF.	PART NUMBER	PART NAME	QTY	R E M A R K S	CODE NO.	INTERCHANGE P/NO.	UNIT P	FIG.
110	33B-50001-11	FRONT COVER (UPPER) CP	1		-			2400
170	33B-40002-08	TAPPING SCREW	3		-			2400
171	33B-46001-03	COVER (COCK)	1		-			2400
172	003-10040-00	WASHER	2		-			2400
175	33B-46012-11	BRACKET (COCK)	1		-			2400
310	33B-40004-08	SCREW AND WASHER AY	2		-			2400
330	33B-47203-01	REGULATOR CP	1		-			2400
333	002-38060-00	FLANGE NUT	1	M6X1. 0X13DX6H	-			2400
430	34B-48003-01	WIRE HARNESS CP	1		-			2400
431	33B-48062-31	WIRE HARNESS CP	1		8421-			2400
	33B-48062-21	WIRE HARNESS CP	1		-8420			2400
438	34J-49001-03	CORRUGATED TUBE	1		-			2400
471	34G-47001-03	SEAL SPONGE (C. BOX 1)	1		-			2400
480	353-49904-08	TAPPING SCREW	6		-			2400
500	34D-45131-70	CONTROL PANEL AY	1		8421-			2400
	34D-45131-60	CONTROL PANEL AY	1		-8420			2400
505	33B-45002-01	PANEL PLATE	1		-			2400
510	34B-49102-33	SHEET (PANEL VS) 2	1		-			2400
520	066-00003-30	SWITCH	1		-			2400
- 1	066-00099-80	KEY, SWITCH	2	MARK 103	-			2400
524	33B-40007-08	SWITCH AY	1		-			2400
530	388-85002-01	AC CONCENT	1	125V/15A	-			2400
531	33B-40006-08	CONCENT (30A TWIST)	1		-			2400
535	351-49920-09	SCREW	4		-			2400
590	KU3-11763-01	MONITOR C/U CP (INV8)	1		-			2400
592	33B-40003-08	SCREW AND WASHER AY	2		-			2400
594	002-17040-00	NUT	2		-			2400
615	33K-41811-03	MICRO SWITCH	1		-			2400
617	33D-46040-03	SPACER (SWITCH)	1		-			2400
630	33K-42010-03	CONTROL DIAL	1		-			2400
636	33K-42020-03	CHOKE REEL	1		-			2400
638	33K-42030-23	PLATE	1		-			2400
640	33B-46015-01	BRACKET (MICRO)	1		-			2400
642	33B-40001-08	TAPPING SCREW	2		-			2400
660	32B-43041-03	CIRCUIT BREAKER	1	DC 10A	-			2400
665	31B-79011-03	SCREW & WASHER AY	2		-			2400
671	363-45701-08	TERMINAL BOLT	1	RED 20A	-			2400
672	363-45700-08	TERMINAL BOLT	1	BLACK 20A	-			2400
680	388-88001-03	SCREW AND WASHER AY	1		-			2400
681	332-00050-08	SPRING WASHER	2		-			2400





FIG.2500



## 25 COVER

REF.	PART NUMBER	PART NAME	QTY	R E M A R K S	CODE NO.	INTERCHANGE P/NO.	UNIT P	FIG.
210	33B-50101-01	FRONT COVER (LOWER) CP	1		-			2500
215	33B-35501-01	BRACKET (COVER) CP	1		-			2500
230	33B-50501-01	REAR COVER (UPPER) CP	1		-			2500
272	011-00601-80	FLANGE BOLT	2	M6X1. 0X14DX18L	-			2500
273	001-11062-50	BOLT AND WASHER AY	1		-			2500
274	011-00600-20	FLANGE BOLT	2	M6X1. 0X14DX12L	-			2500
277	002-38060-00	FLANGE NUT	1	M6X1. 0X13DX6H	-			2500
280	34B-57310-03	SEAL SPONGE FC1	1		-			2500
290	34B-57311-03	SEAL SPONGE FC2	2		-			2500
310	34J-51001-01	SIDE COVER (R) CP	1		-			2500
315	34J-55101-03	SIDE RUBBER SEAL	1		-			2500
330	34J-51101-01	SIDE COVER (L) CP	1		-			2500
335	34J-55101-03	SIDE RUBBER SEAL	1		-			2500
360	34G-55303-01	COVER BOLT	4		-			2500
365	34G-55304-01	SPACER	4		-			2500
380	34J-59001-13	SPONGE (S COVER-R)	1		-			2500
390	34J-59002-13	SPONGE (S COVER-L)	1		-			2500
391	34G-59008-03	SPONGE (S COVER-L)	1		-			2500
405	34G-57321-03	SEAL SPONGE (SIDE)	2		-			2500
410	33B-56411-11	MUF COVER (REAR) CP	1		-			2500
420	34J-56351-01	MUF COVER (LL) CP	1		-			2500
425	33B-57005-03	SEAL RUBBER	1		-			2500
460	011-00601-80	FLANGE BOLT	6	M6X1. 0X14DX18L	-			2500
461	011-00600-80	FLANGE BOLT	4	M6X1. 0X14DX12L	-			2500
480	33B-57105-03	GLASS WOOL (M-COVER)	1		-			2500
481	34G-57331-03	SPONGE1 (M. COVER)	2		-			2500
482	34G-57332-03	SPONGE2 (M. COVER)	2		-			2500
483	33B-57104-03	GLASS WOOL	1		-			2500
490	34J-57321-03	SEAL SPONGE (MUF27)	2		-			2500
610	34G-55001-11	COVER (RECOIL KNOB) CP	1		-			2500
615	34G-55002-01	PLATE CP	1		-			2500
617	004-35061-00	SCREW AND WASHER AY	2	M6X1. 0X10L W/SW	-			2500
900	34J-91001-03	LABEL, TRADE MARK-R	1		-			2500
901	34J-92002-03	LABEL (TRADE MARK-L)	1		-			2500
904	34J-96003-13	LABEL (SPEC)	1		-			2500
910	073-20046-50	LABEL (WARNING)	1	44X62 JAPAN	-			2500
912	33K-94001-03	LABEL (CAUTION)	1	40X90 JAPAN	-			2500



FIG.2510

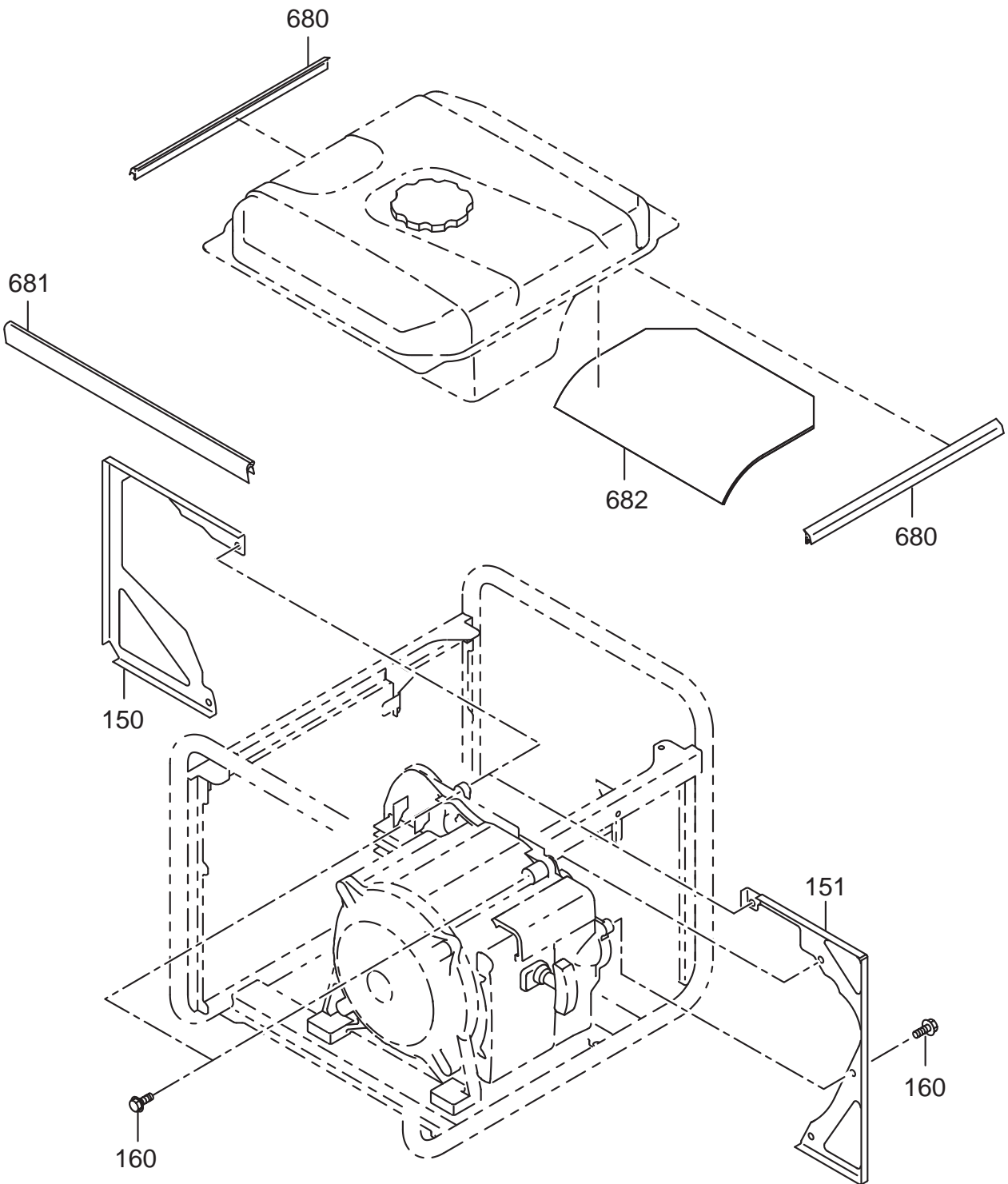




FIG.2600

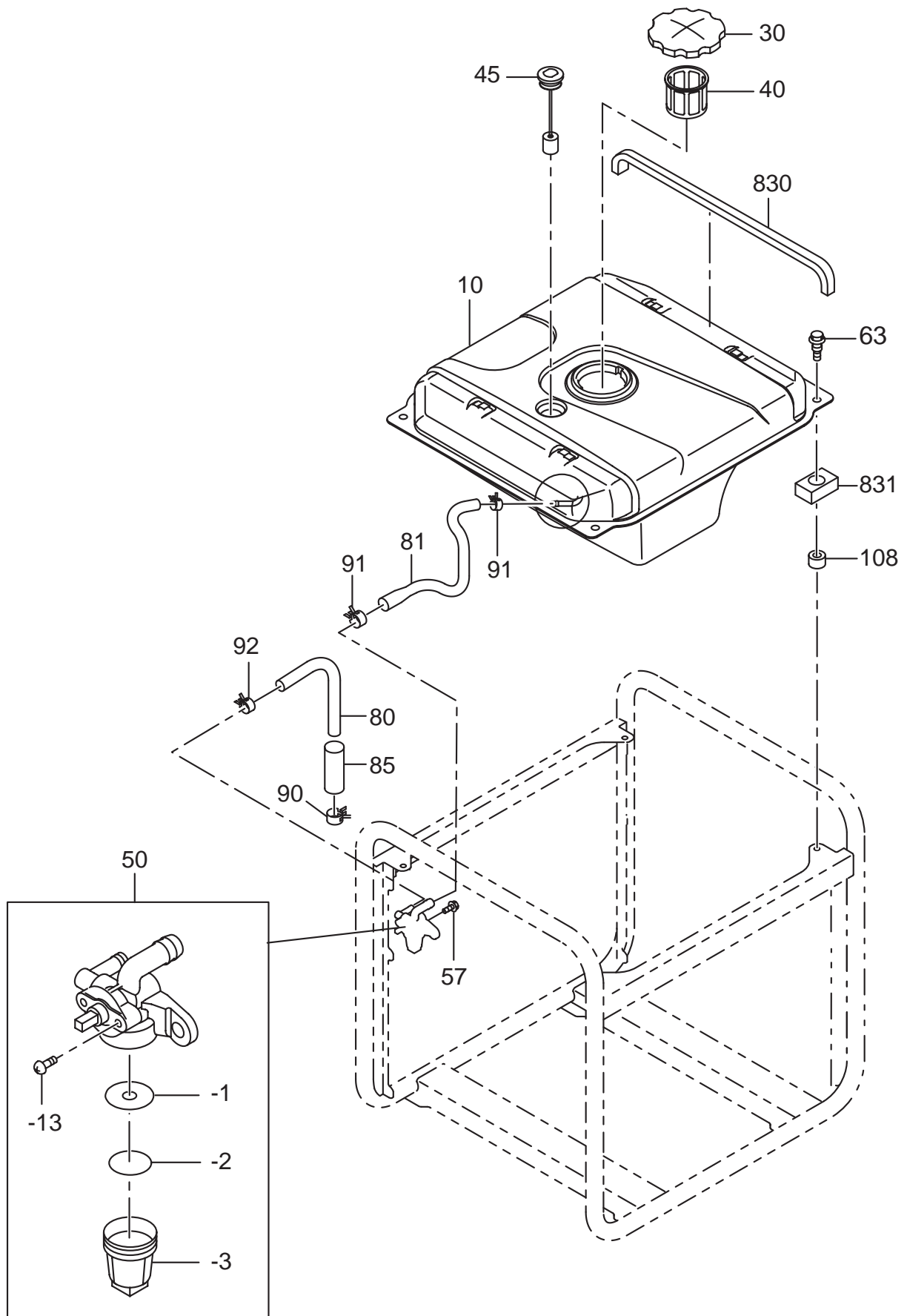




FIG.2900

